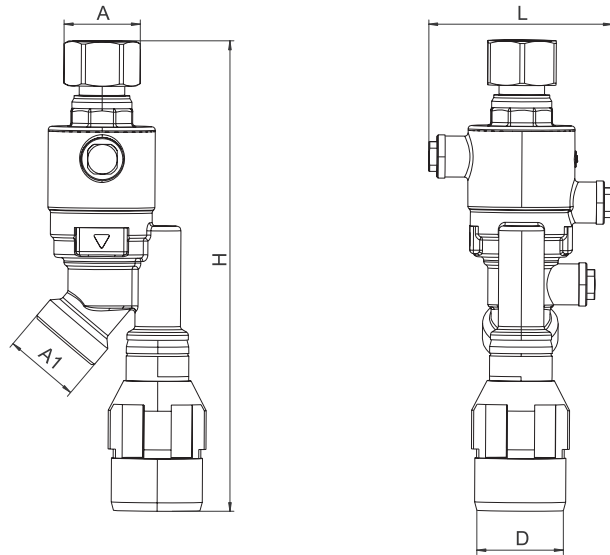


Dimensions

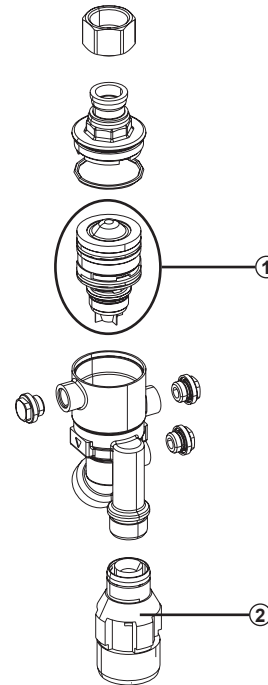


Nominal size		DN 15
	A	G 3/4"
	A1	G 3/4"
Dimensions	L (mm)	81
	H (mm)	207
	D (mm)	40

WARNING

Installation and maintenance may only be carried out by an authorised specialist company. Observe the maintenance instructions! In case of malfunction of the valve due to soiling, the warranty is void.

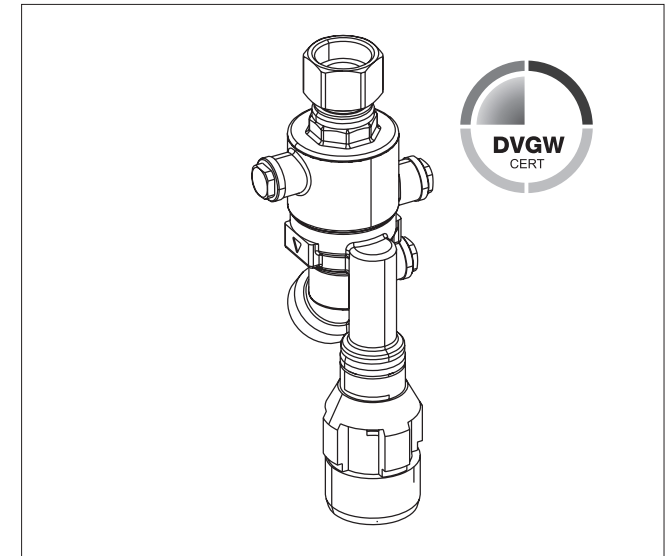
Spare parts



- | | |
|--------------------------------|-------------|
| ① Cartridge with mounting aid: | 6600.00.974 |
| ② Tundish: | 6600.00.903 |
| ③ Outlet shut-off valve: | 6600.00.973 |
| Sealing clamp, DN 20 | 6600.00.972 |
| Sealing clamp, DN 25 | 6600.00.965 |

SYR[®] ARMATUREN
Made in Germany

Instructions for use



Backflow preventer BA 6625 Typ 220

for heating filling

SYR - Hans Sasserath GmbH & Co. KG
Mühlenstrasse 62
41352 Korschenbroich - GERMANY
Tel.: +49 2161 6105-0 - Fax: +49 2161 6105-20
www.syr.de - info@syr.de

Field of application

The STBA 220 backflow preventer has been developed to protect drinking water against non-potable water up to and including liquid category 4 according to EN 1717. It is mainly used for applications e.g. in printing plants, chemical and food processing plants, in laboratory and medical technology.

Design

The STBA 220 backflow preventer consists of:

- Body
- Integrated strainer, mesh size approx. 0.25 mm
- Cartridge insert with integrated backflow preventer and drain valve
- Outlet side check valve
- 3 Pressure gauge plugs for connection of a differential pressure measuring device
- connection fittings
- Tundish
- Connection for a nozzle

Materials

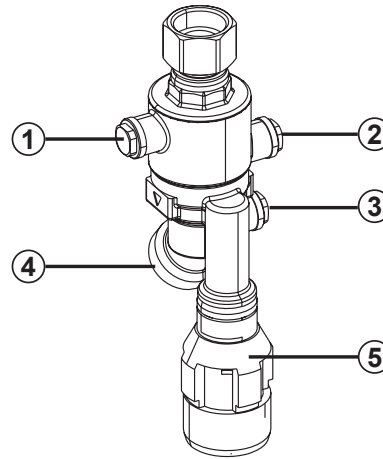
- Body made of brass
- Cartridge insert made of high-quality plastic
- Check valve made of high-quality plastic
- Ball valves made of brass
- Sealing elements of NBR and EPDM
- Internal parts made of high-quality plastic / brass
- Drain connection made of high-quality plastic

Technical Data

Nominal size:	DN 15
Fluid:	Trinkwasser
Inlet pressure:	max. 10 bar
Inlet pressure:	min. 1,5 bar
Mounting position:	Vertical with drain valve downwards
Operating temperature:	max. 65 °C
Drain pipe connection:	DN 40
Flow rate:	1,8 m³/h bei Δp 1,5 bar

Functional description

The STBA 220 SYR backflow preventer contains all the components specified in DIN EN 1717 and is designed as a 3-chamber system with controlled inlet, medium and outlet pressure zones. Each pressure zone is equipped with manometer plugs, which allow the control of each zone and the tightness of the safety devices by pressure measurement. The BAST Backflow Preventer consists of 2 check valves (RV) connected in series and equipped with a ventilation central zone. If no water is drawn off, the inlet and outlet RV are closed and the drain valve is closed. In the case of back suction, the inlet pressure drops. The drain valve opens at the latest when the differential pressure between the pre- and medium pressure chamber is 0.14 bar.



- ① inlet pressure zone
- ② intermediate pressure zone
- ③ outlet pressure zone
- ④ Hose connection
- ⑤ Tundish

Installation

Flush the pipeline before installation. The backflow preventer should be installed in the pipes with the drain valve facing downwards. This is the only way to ensure that the drain funnel functions properly. An easily accessible installation location simplifies maintenance and inspection. The system separator may only be installed in locations that are protected from flooding and frost and are well ventilated. After installation, the system separator must be vented via the pressure gauge plugs, after which the valve is ready for operation. After installation, the inlet screw connection must be provided with the enclosed sealing clip.

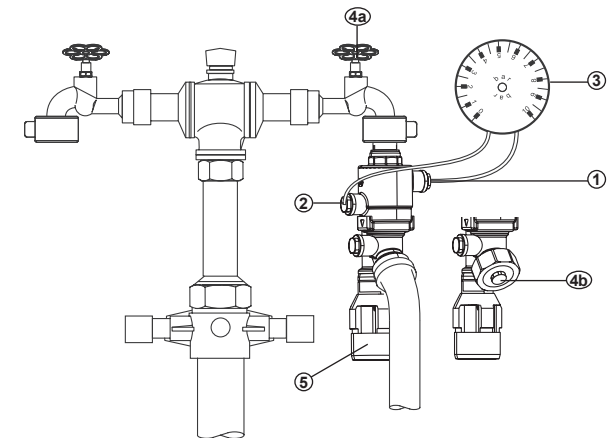
Maintenance

The valve must be depressurized before opening.

The STBA 220 backflow preventer requires regular maintenance. Accordingly, maintenance contracts between the operator and the installer make sense. The proper functioning of the valve is checked after the first year of operation, then periodically according to the operating conditions, but at the latest after one year. The manometer plugs available in each pressure zone allow a functional check of the valve with the corresponding measuring tool (accessory; service case art. no. 6600.00.000). The design of the backflow preventer with cartridge technology allows easy and problem-free maintenance of the fitting.

Verification of the separation function of the release valve and the RV2

- To check the relief valve, close the inlet shut-off valve 4a.
 - Remove the pressure gauge plugs 1+2 and mount the test units with needle valves (test case e.g. 6600.00.000).
 - Connect the pressure measuring valve to the test units using needle valves.
 - Open the shut-off valve 4a
 - Entlüften Sie die Armatur über die beiden Nadelventile. Schließen Sie anschließend die Nadelventile wieder.
 - Close the shut-off valve 4a.
 - Slowly release the pressure via the needle valve 1.
 - Observe the drain funnel. The diff. pressure must be above 140 mbar at the first drop out of the drain funnel, otherwise there is dirt or a mechanical defect..
 - Open needle valve 1 and relieve the medium pressure chamber until it is completely empty.
 - Close the two needle valves on the test units 1+2.
 - Remove the measuring instrument and the test units with needle valves and reinstall the manometer plugs 1+2.
 - Open the shut-off valve (4a).
- To check the output non-return valve (RV2), close the inlet shut-off (4a), depressurize the valve, remove any connected unit, and install the outlet shut-off (4b).
 - Open the inlet shut-off (4a).
 - Vent the valve via the ball valve of the outlet side shut-off 4b.
 - Close the inlet shut-off (4a) and remove the pressure gauge plugs 1+2. Water comes out of the manometer plugs 1+2 and the drain funnel.
 - After draining, no more water should escape. If water continues to drip from the manometer plug 2 or the drain funnel, there may be a mechanical defect or contamination of the RV2.



- ① Pressure gauge plug 1 inlet pressure zone
- ② Pressure gauge plug 2 intermediate pressure zone
- ③ Pressure measuring valve
- ④a Inlet ball valve
- ④b Outlet ball valve
- ⑤ Drain valve