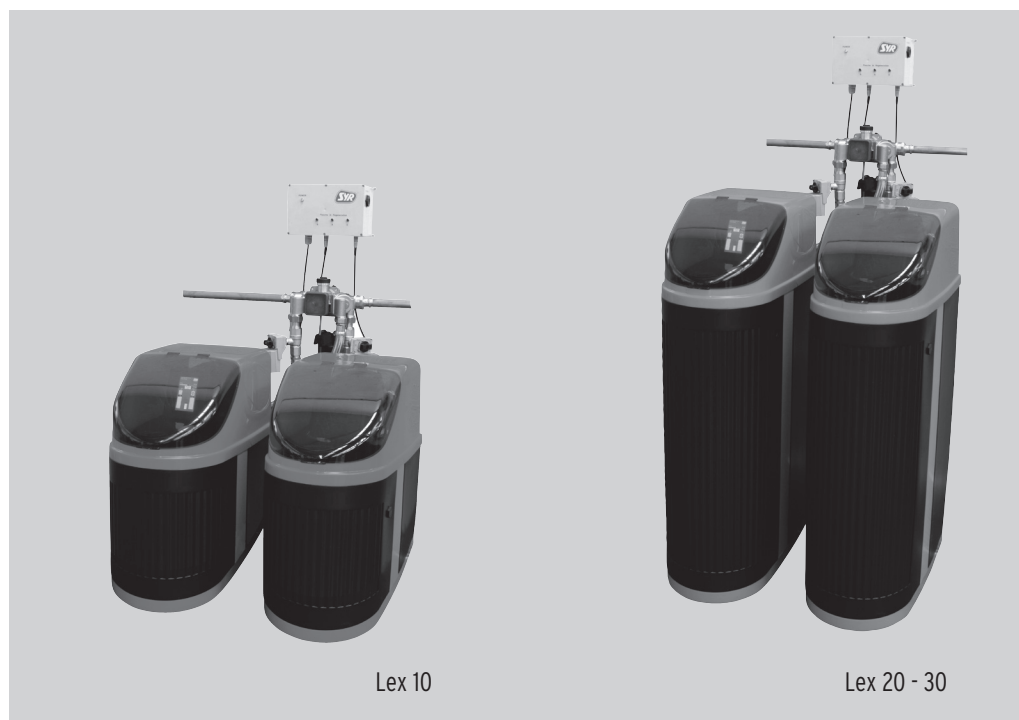


Alternating Water Softener LEX 1500

Ion exchange water softener



Field of application

SYR's LEX 1500 Twin Alternating Water Softener is designed to protect water pipes and water heaters against lime deposits, which will slow down the water flow and increase the energy consumption. This effective protection preserves appliances and valves from damage, thus preventing cost-intensive repair works. The consumption of laundry detergents and household cleaners is considerably lower with partially softened water than with

non-softened water. DIN 1988, part 200 defines no restrictions on use in the field of application. The water softener's capacity allows for partial softening of the overall amount of water used in single-family houses or apartment houses as well as of partial water quantities used for hot water, swimming pools, washing machines and dishwashers.

Design

The LEX 1500 twin alternating water softener is an ion exchange system that ensures uninterrupted supply of soft water 24 hours a day. It is equipped with the Limex IQ control that makes it easy to enter and access all information. The

water softener undergoes automatic disinfection at regular intervals to prevent microbial growth. The device is equipped with bypass valves, connection hoses and a connection group.

Materials

The functional parts are made of high-quality synthetic material. The body and the internal plastic parts are made of shock-resistant thermoplast and the rubber parts of ageing-resistant elastomers. All other functional parts are made from a low-lead,

dezincification-resistant brass alloy and stainless steel. The materials used are state-of-the-art. The synthetic and elastomeric parts in contact with water meet all requirements of the German Federal Environment Agency (KTW Directive).

Installation

Use a double flange DN 32 - DN 50 to mount the LEX 1500 twin alternating water softener. The delivery includes a connection group. Install the water softener close to and downstream of the water metering system. Mount a potable water filter (System Drufi) upstream of the water softener to

prevent malfunctions and offer efficient protection. Install a pressure reducing valve upstream when the pressure is ≥ 5 bar. The water to be softened has to be clear, free from solid impurities and iron- and manganese-free (values as set in the Drinking Water Ordinance).

Thoroughly flush the pipe prior to installation. Mount the required double flange in a horizontal pipe. Do not apply stresses. Make sure that a (floor)

drain for the safety overflow and a waste water connection to drain the flushed water are provided. Do not extend the factory mounted hoses.

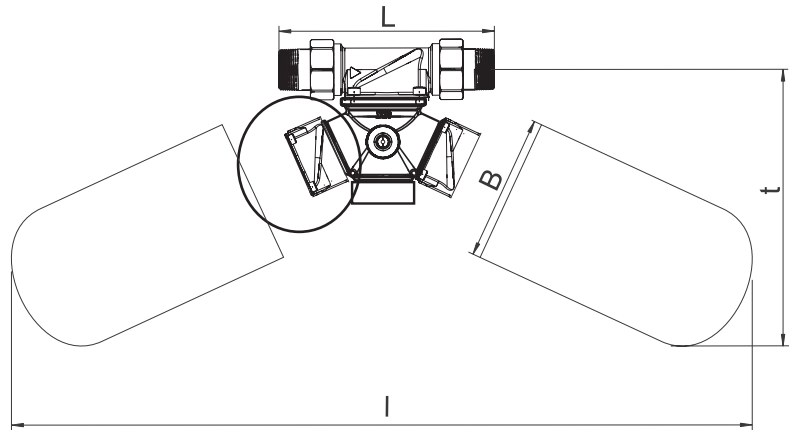
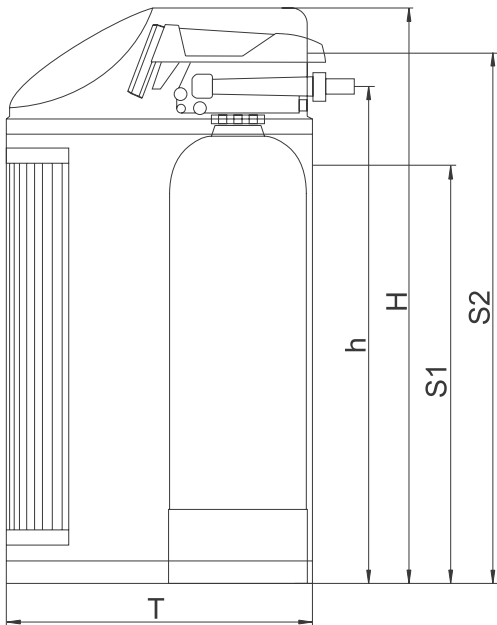
Technical specifications

| | |
|---|---|
| Service pressure: | min. 2 bar, max. 8 bar |
| Nominal pressure: | max. 10 bar |
| Service temperature: | max. 30 °C |
| Mounting position: | main axis in vertical position |
| Fluid: | potable water |
| Flow rate LEX 10 / 20 / 30: | 2.1 / 2.5 / 2.8 m ³ /h at 1.0 bar Δp |
| Storage salt tank LEX 10 / 20 / 30: | 25 kg / 60 kg / 60 kg |
| Resin quantity LEX 10 / 20 / 30: | 10 / 20 / 30 liters |
| Capacity exchanger resin LEX 10 / 20 / 30: | 2 x 20 / 2 x 40 / 2 x 60 m ³ x °dH |
| Salt consumption per regeneration LEX 10 / 20 / 30: | about 0.8 kg / 1.6 kg / 2.4 kg |
| Power consumption / Power supply: | 6 W / 12V / 50 Hz |
| Serial number: | 1500 ... |

Maintenance

As the LEX 1500 twin alternating water softener works automatically, the only thing to do is to refill salt on a regular basis. According to EN 806, part 5, the device has to be serviced at least once a year

and in case of collective installations twice a year. A maintenance contract between the user and a qualified installer provides for safe and durable functionality.



| Nominal size | LEX 10 | | | LEX 20 / 30 | | |
|-------------------|------------|------------|------------|-------------|------------|------------|
| Dimensions | | | | | | |
| H (mm) | 680 | | | 1130 | | |
| h (mm) | 510 | | | 970 | | |
| t (mm) | min. 300 | | | min. 300 | | |
| T (mm) | 600 | | | 600 | | |
| L (mm) | DN 32: 570 | DN 40: 570 | DN 50: 610 | DN 32: 570 | DN 40: 570 | DN 50: 610 |
| l (mm) | 480 | | | 480 | | |
| B (mm) | 350 | | | 350 | | |
| S1 overflow | 390 | | | 835 | | |
| S2 flushed water | 475 | | | 930 | | |

Components / Order numbers

①

Control head

Lex 10 1500.00.934

Lex 20 1500.00.935

Lex 30 1500.00.936

②

IQ control

LEX 10 1500.00.914

LEX 20 1500.00.915

LEX 30 1500.00.916

③

Cabinet, with cover

LEX 10 1500.00.924

LEX 20/30 1500.00.925

④

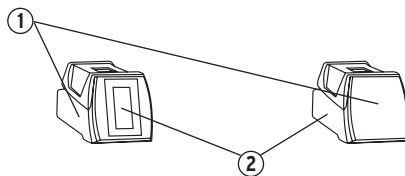
Bypass valve

1700.00.002

⑤

Tundish

0214.00.908



no fig.

Salt tank

LEX 10 1500.00.913

LEX 20/30 1500.00.901

Seal kit

1500.00.904

Hoses

1500.00.905

