

# Triple Water Softener LEX - T

Triple water softener



## Field of application

SYR's Triple Water Softener Limex LEX-T is designed to protect water pipes and water heaters against lime deposits, which will slow down the water flow and increase the energy consumption. This effective protection preserves appliances and valves from damage, thus preventing cost-intensive repair works. The consumption of laundry detergents and household cleaners is considerably lower with partially softened water than with

non-softened water. DIN 1988, part 200 defines no restrictions on use in the field of application. The water softener's capacity allows for partial softening of the overall amount of water used in single-family houses or apartment houses as well as of partial water quantities used for hot water, swimming pools, washing machines and dishwashers.

## Design

The LEX-T is a water softening system based on the proven ion exchange process. When in operation, water flows permanently through two resin tanks. The microprocessor control regulates the quantity-based regeneration intervals for the three tanks. The system automatically triggers a regeneration

cycle when the predefined capacity has been reached in one exchange resin tank. This method makes sure that the water volume to be treated is automatically distributed to 3 exchanger resin tanks. This results in a hygienic, economic and efficient functionality.

## Materials

The functional parts are made of high-quality synthetic material. The body and the internal plastic parts are made of shock-resistant thermoplast and the rubber parts of ageing-resistant elastomers. All other functional parts are made from a low-lead,

dezincification-resistant brass alloy and stainless steel. The materials used are state-of-the-art. The synthetic parts in contact with water meet all requirements of the German Federal Environment Agency (KTW Directive).

## Installation

Use the Drufimax universal flange (DN 32- DN 50) (accessory) to mount the LEX-T. The delivery includes bypass valves with an integrated bypass as well as a three-way connection group. Install the water softener close to and downstream of the water metering system. Mount a potable water filter (System

Drufi) upstream of the water softener to prevent malfunctions and offer efficient protection. The water to be softened has to be clear, free from solid impurities and iron- and manganese-free (values as set in the Drinking Water Ordinance).

Thoroughly flush the pipe prior to installation. Mount the required Drufimax universal flange in horizontal or vertical pipes without applying stresses. All electric connections are factory-

mounted. Make sure that a (floor) drain for the safety overflow and a waste water connection to drain the flushed water are provided. Set up the salt tank separately.

## Technical specifications

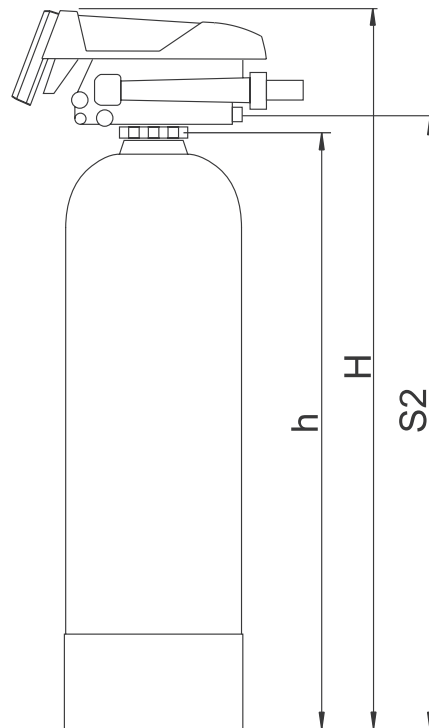
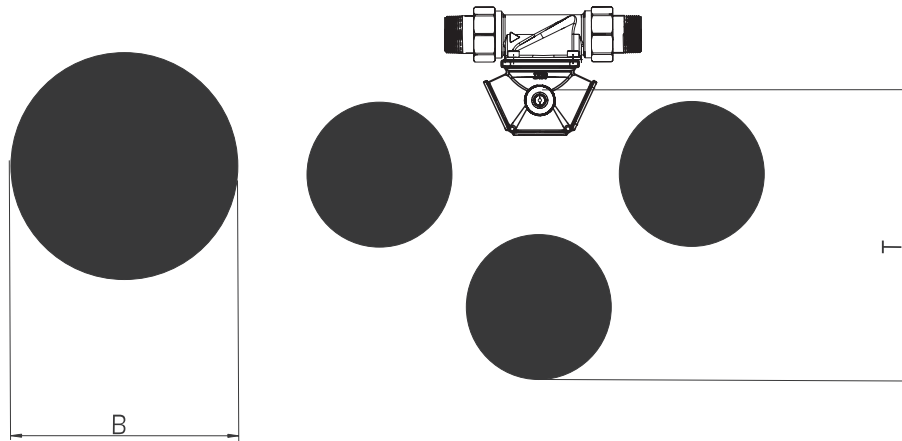
Service pressure:	min. 2 bar, max. 8 bar
Nominal pressure:	max. 10 bar
Service temperature:	max. 30°C
Fluid:	potable water
Flow rate T1 / T2 / T3 / T4:	5.0 / 5.6 / 9.0 / 11.2 m <sup>3</sup> /h at 1.0 bar Δp
Storage salt tank T1 / T2 / T3 + T4:	110 / 200 / 300 liters
Resin quantity T1 / T2 / T3 / T4:	3 x 20 / 3 x 30 / 3 x 60 / 3 x 90 liters
Capacity T1 / T2 / T3 / T4:	80 / 120 / 240 / 360 m <sup>3</sup> / °dH
Salt consumption per regeneration T1 / T2 / T3 / T4:	about 3.2 kg / 4.8 kg / 9.6 kg / 14.4 kg per exchanger resin tank
Power consumption:	4 W
Power supply:	12V / 50 Hz
Serial number:	1500 ...

## Maintenance

As the water softener LEX T works automatically, the only thing to do is to refill salt on a regular basis. According to EN 806, part 5, the device has to be serviced at least once a year and in case of

collective installations twice a year. A maintenance contract between the user and a qualified installer provides for safe and durable functionality.

Connection flange not included in delivery!



		LEX T1	LEX T2	LEX T3	LEX T4
<b>Dimensions</b>	H (mm)	1070	1070	1150	1570
	h (mm)	900	900	980	1400
	T (mm)	ca. 1000	ca. 1000	ca. 1000	ca. 1000
	B (mm)	460	460	620	620
	S2 Flushed water	965	965	1050	1425

## Components /Order numbers

①

### Control head

LEX T1	1500.00.920
LEX T2	1500.00.921
LEX T3	1500.00.937
LEX T4	1500.00.938

②

### IQ control

LEX T1	1500.00.941
LEX T2	1500.00.942
LEX T3	1500.00.943
LEX T4	1500.00.944

③

### Salt tank

LEX T1	1500.00.931
LEX T2	1500.00.932
LEX T3 + T4	1500.00.933

④

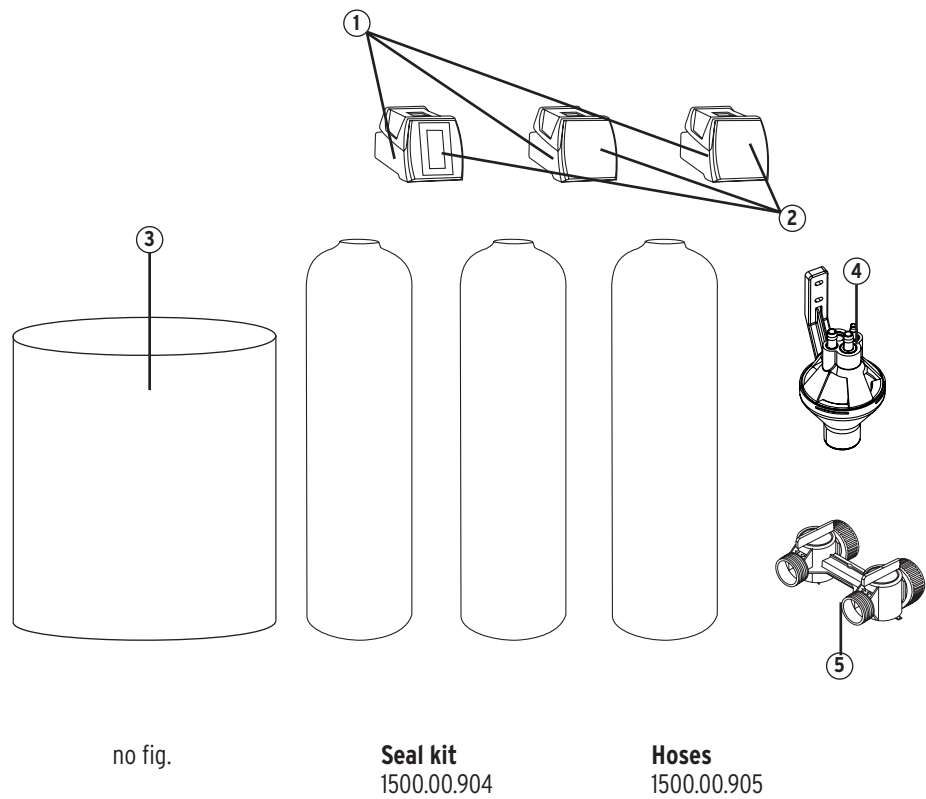
### Tundish

0214.00.908

⑤

### Bypass valve

1700.00.002



## Connecting diagram LEX T

