

Water Softener LEX plus 10 S Connect

Ion exchange water softener



Field of application

SYR's Water Softener LEX plus 10 S Connect is designed to protect water pipes and water heaters against lime deposits, which will slow down the water flow and increase the energy consumption. This effective protection preserves appliances and valves from damage, thus preventing cost-intensive repair works. The consumption of laundry

detergents and household cleaners is considerably lower with partially softened water than with non-softened water. DIN 1988, part 200 defines no restrictions on use in the field of application. The water softener's capacity allows for the softening of the overall amount of water used in a single-family house.

Design

The LEX plus 10 S Connect is a single-column system based on the ion exchange process. The device is equipped with a touchpad control that makes it easy to enter and access all information. When connected to the Internet, the LEX plus 10 S

Connect can also be controlled with the SYR-App via Internet.

The water softener undergoes automatic disinfection at regular intervals to prevent microbial growth.

Materials

The functional parts are made of high-quality synthetic material. The body and the internal plastic parts are made of shock-resistant thermoplast and the rubber parts of ageing-resistant elastomers. All other functional parts are made from a low-lead,

dezincification-resistant brass alloy and stainless steel. The materials used are state-of-the-art. The synthetic and elastomeric parts in contact with water meet all requirements of the German Federal Environment Agency (KTW Directive).

Installation

Use a DN 20 - DN 32 flange from the large Drufi flange program to mount the LEX Plus 10 Connect. The delivery includes a bypass and blending valve. Install the water softener close to and downstream of the water metering system. Mount a potable water filter (System Drufi) upstream of the water

softener to prevent malfunctions and offer efficient protection. Install a pressure reducing valve upstream when the pressure is ≥ 5 bar. The water to be softened has to be clear, free from solid impurities and iron- and manganese-free (values as set in the Drinking Water Ordinance).

Thoroughly flush the pipe prior to installation. Mount the required Drufi connection flange in a horizontal or vertical pipe without applying stresses. Make sure that a (floor) drain for the

safety overflow and a waste water connection to drain the flushed water are provided. Do not extend the factory mounted hoses.

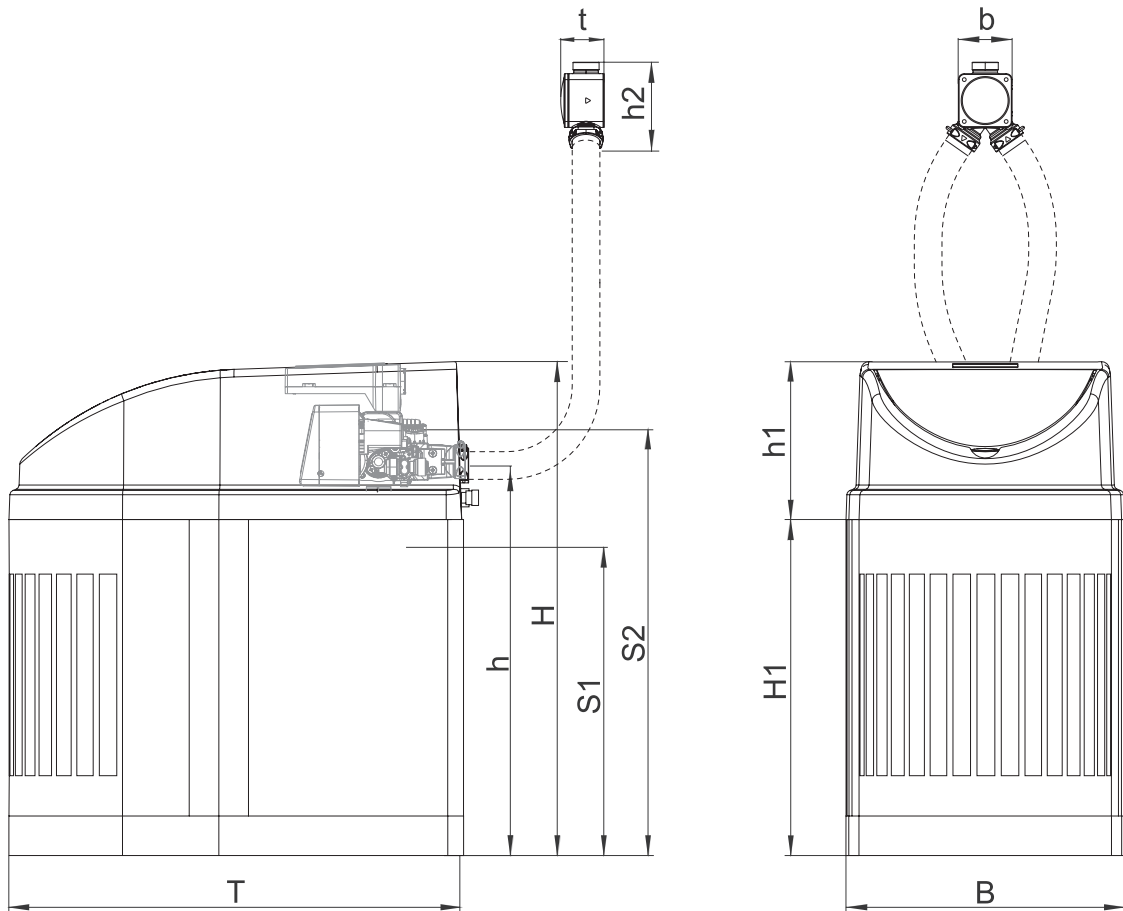
Technical specifications

Service pressure:	min. 2 bar, max. 8 bar
Nominal pressure:	max. 10 bar
Service temperature:	max. 30 °C
Mounting position:	main axis in vertical position
Fluid:	potable water
Flow rate according to DIN EN 14743:	1.5 m ³ /h
Flow rate according to DIN 19636 from 20° dH to 8 ° dH:	2.3 m ³ /h
Storage salt tank:	25 kg
Resin quantity:	7,5 liters
Nominal capacity:	22 m ³ x °dH
Salt consumption per regeneration:	about 0.95 kg
Power supply:	230 V / 50 Hz / 6 W
Device connection:	12 V DC
Serial number:	1500.01.011

Maintenance

As the water softener works automatically, the only thing to do is to refill salt on a regular basis. According to EN 806, part 5, the device has to be serviced at least once a year and in case of

collective installations twice a year. A maintenance contract between the user and a qualified installer provides for safe and durable functionality.



Connection flange not included in delivery!

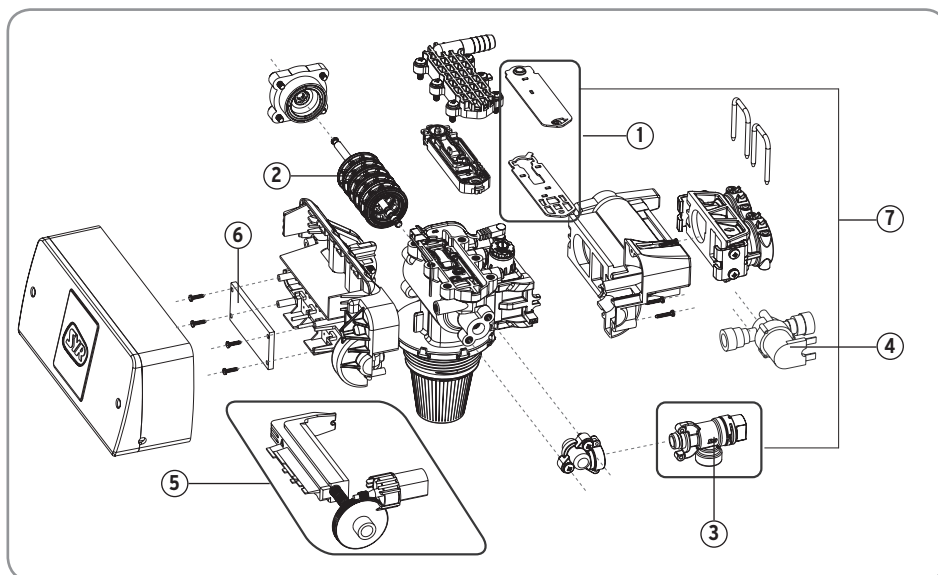
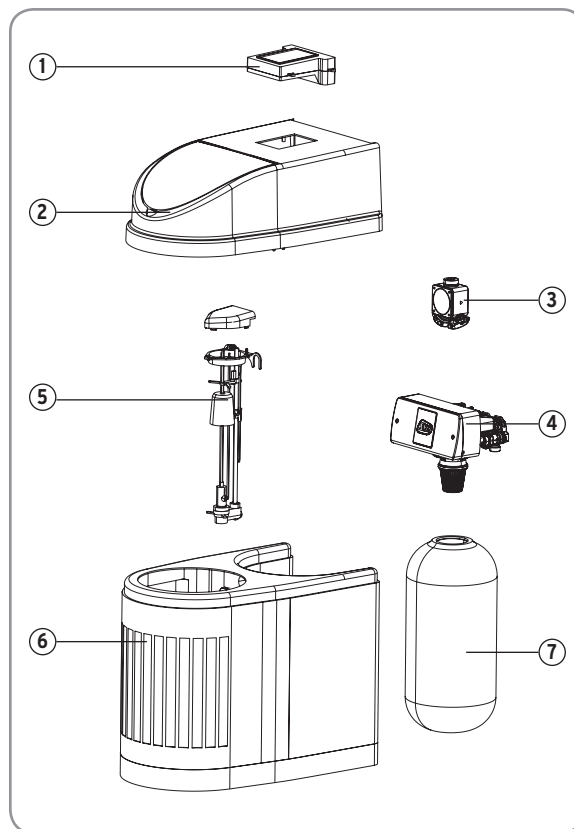
Nominal size	LEX plus 10 S Connect	
Dimensions	t (mm)	64
	b (mm)	68
	H (mm)	615
	h (mm)	492
	H1 (mm)	415
	h1 (mm)	200
	h2 (mm)	118
	T (mm)	570
	B (mm)	352
	Safety overflow (S1) (mm)	390
Overflow for flushed water (S2) (mm)	541	

Components / Order numbers

- ① **Control unit**
1500.01.906
- ② **Cover of cabinet**
1500.01.907
- ③ **Blending valve**
1500.01.941
- ④ **Control head**
1500.01.901
- ⑤ **Filling level unit**
1500.01.936
- ⑥ **Cabinet**
1500.01.908
- ⑦ **Resin bottle**
1500.01.934

no fig.

- Cable harness standpipe**
1500.01.911
- Cable harness control head**
1500.01.912
- Cable harness blending**
1500.01.913
- Power pack control unit**
1500.01.915



- ① **Seal kit**
1500.01.921
- ③ **Chlorinator**
1500.01.920
- ⑤ **Drive unit**
1500.01.903
- ⑦ **Maintenance kit**
1500.01.939
- ② **Piston**
1500.01.902
- ④ **Solenoid valve**
1500.01.922
- ⑥ **Board control head**
1500.01.914