

Dosing Pump 3100 DP 1

Addition of mineral solutions



Field of application

The dosing system DP 1 from SYR is designed to add mineral solutions to potable water. Mineral solutions prevent corrosion and scaling and increase the water's pH value; they are also used for example downstream of water softeners or for stabilizing

the water hardness in copper or galvanised pipes as well as in mixed installations. The dosing system fulfils the requirements of the relevant German standard (DIN 19635).

Design

The dosing system DP1 records the water flow with a water meter and determines the required amount of minerals accordingly; the minerals are released from the dosing dispensers and pumped into the pipe through a dosing hose. The range of mineral products includes solutions suitable for various applications (C: for copper pipes downstream of water

softeners; SW: for galvanised pipes and aggressive water of hardness range 1; W: galvanised pipes for water hardness ranges 1 + 2 and mixed installations, respectively downstream of water softeners; H: for stabilizing the water hardness in the hardness ranges 3 + 4.)

Materials

The functional parts are made of high quality synthetic material. The body and the internal plastic parts are made of shock-resistant thermoplast and the rubber parts of ageing-resistant elastomers. All remaining functional parts are made of a low lead dezincification resistant gunmetal alloy and

stainless steel. All materials used are state-of-the-art. All synthetic parts getting into contact with water fulfil the requirements of Germany's Public Health Office (KTW).

Installation

Use a DN 20 - DN 32 flange from the extensive Drufi flange programme to install the dosing system DP 1. Connect the dosing system DP 1 along with the water meter as a unit directly to the flange. When the pipes' position is too high or too low, the DP 1

system can be mounted separately from the water metering unit. The device cannot be operated without power supply.

Thoroughly flush the pipe prior to installation. Install the required Drufi connection flanges in vertical or horizontal pipes without applying stres-

ses. All electrical connections are pre-mounted in factory.

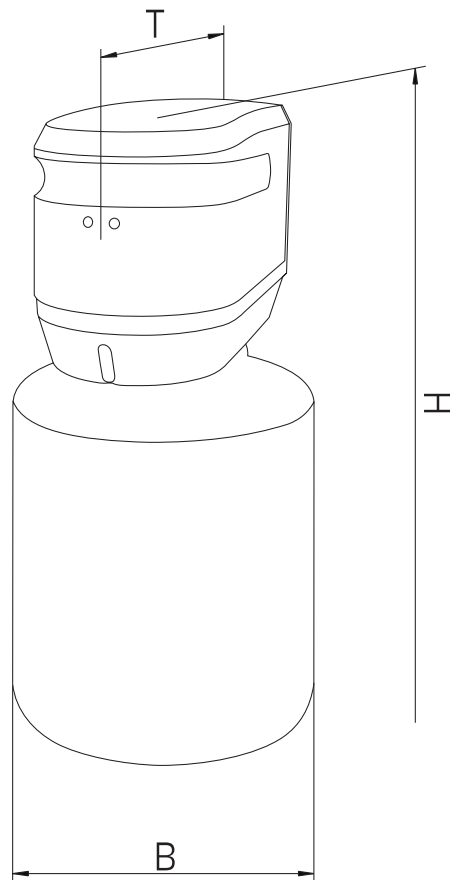
Technical specifications

Inlet pressure:	10 bar
Operating pressure:	min. 1.5 bar, max. 10 bar
Operating temperature:	max. 30 °C
Fluid:	potable water
Mounting position:	main axis vertical
Nominal flow rate:	4.0 m ³ /h
Pressure loss at nominal flow rate:	0.7 bar
Power supply:	230 V / 50 Hz / 15 W
Dosing volume per filling:	48 - 80 m ³
Serial number:	3100.00.000

Maintenance

As the dosing pump operates automatically, only the empty mineral solution dispensers need to be replaced. The device should be serviced on a regular basis (EN 806 part 5). It is recommended to conclude a service contract with

a qualified installer to ensure durable and safe operation.



Nominal size	DN 20 - DN 32	
Dimensions	T (mm)	240
	H (mm)	min. 590
	B (mm)	190

Dosig pump 3100 - DP 1

Components / Order numbers

①

Cover

②

Body of the pump

③

Dosing dispenser

Mineral solutions, 6 Liter

Mineral solution type C
3100.00.900

Mineral solution type SW
3100.00.901

Mineral solution type W
3100.00.902

Mineral solution type H
3100.00.903

