

Connection Centre 3200



6

Field of application

The SYR Connection Centre 3200 is a connecting module used for filling the heating installation with soft and demineralized water and with water

for pH-stabilization. Relevant for the method is the refillable water softener or demineralization cartridge.

Design

The cartridges are refillable and available for 2,5, 4, 7, 14 and 30 Litres. The Connection Centre is equipped with an outlet ball valve, integrated blending valve which can be changed from water softening

to demineralization, digital capacity-control with integrated conductivity measurement and remaining capacity display and a wall bracket.

3200 Connection Centre

Materials

Body, internal parts and isolating valve are made of high-quality, low-lead brass alloy or stainless steel. Seals are made of elastomeric synthetic ma-

terial (hot-water and ageing-resistant). The springs are made of corrosion-resistant spring steel wire.

Installation

Install the Connection Centre before the heating installation. Do not install the device in rooms liable to humidity or frost. Fit the center to the wall bracket. Mount the cartridges from below to the Connection Centre. The 14 litre-cartridges contain

a pedestal (included in delivery). According to DIN 1717 and DIN 1988, part 100, a BA backflow preventer (e.g. FüllCombi BA 6628) must be installed before the connection center.

Before installation, the pipeline must be flushed thoroughly. Install the Connection Centre hori-

zontally in the pipe under consideration of the direction of flow and without applying stresses.

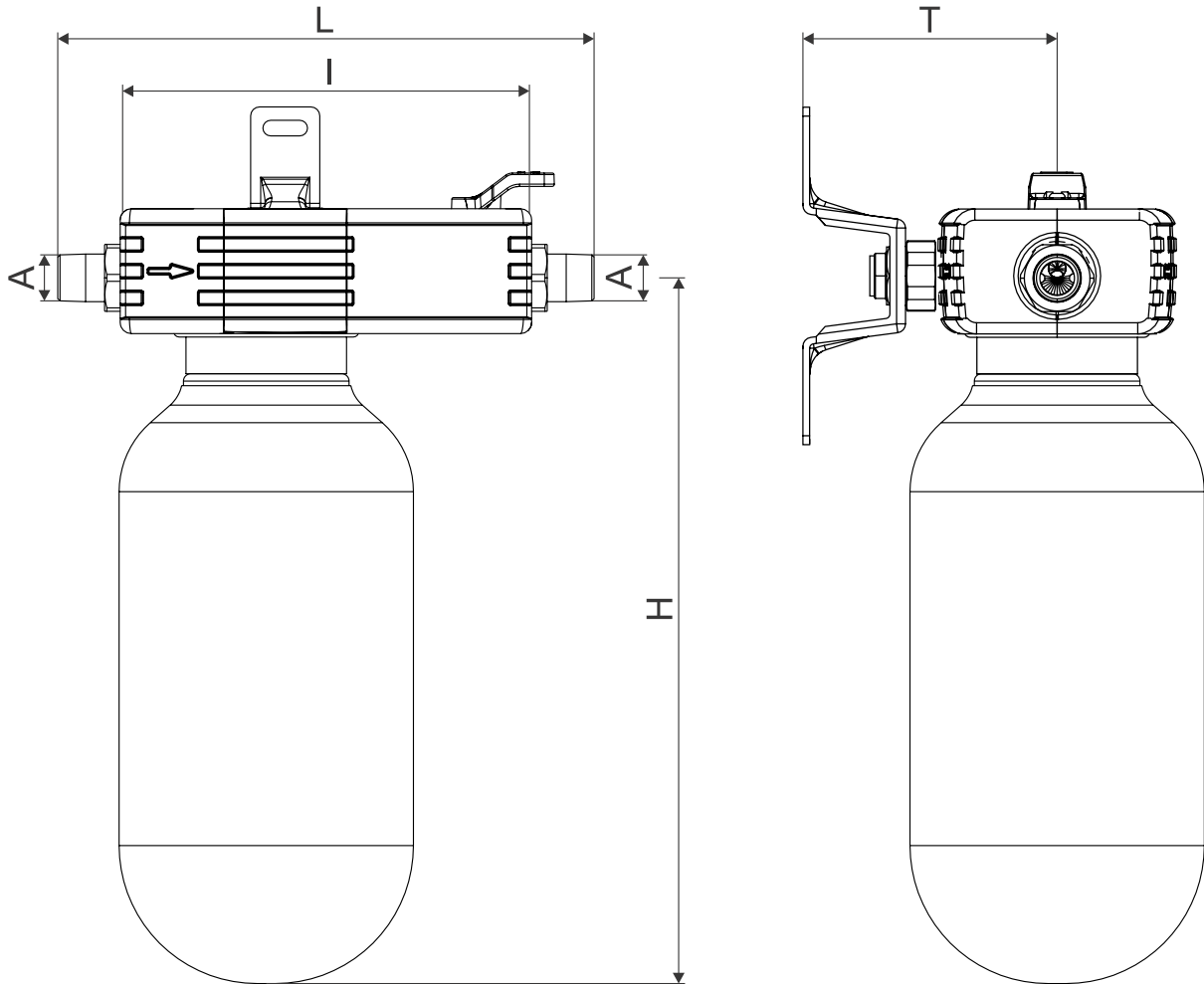
Technical data

Operating pressure:	max. 6 bar
Operating temperature:	max. 30 °C
Mounting position:	main axis horizontal
Medium:	potable water
Flow rate capacity:	0,5 m ³ /h
Serial number:	3200.15.026

Maintenance

The Connection Centre automatically reports an exhausted cartridge. Just refill the cartridge with

the refill resin. Pay attention to order the appropriate resin and size of the cartridge.



Nominal size	DN 15	
	A	R 3/4"
Dimensions	L (mm)	240,5
	l (mm)	184,5
	H (mm)	284 (2,5 Litres), 375 (4 Litres), 574 (7 Litres), 984 (14 Litres), 923 (30 Litres)
	T (mm)	90 - 105

Components / Order numbers

①

Connection Centre
3200.15.025

②

Digital capacity control
3200.00.969

③

Cartridge water softener (already filled)
2,5 Litres 3200.00.021
4 Litres 3200.00.001
7 Litres 3200.00.003
14 Litres 3200.00.004
30 Litres 3200.00.018

Cartridge demineralization (already filled)
2,5 Litres 3200.00.022
4 Litres 3200.00.011
7 Litres 3200.00.013
14 Litres 3200.00.014
30 Litres 3200.00.017

Cartridge pH-stabilization (already filled)
2,5 Litres 3200.00.023
4 Litres 3200.00.015
7 Litres 3200.00.005
14 Litres 3200.00.006
30 Litres 3200.00.016

Exchange-granules for water softener (no picture)
2,5 Litres 3200.00.942
4 Litres 3200.00.904
7 Litres 3200.00.906
10 Litres 3200.00.937
14 Litres = 2 x 7 Litres
30 Litres = 4 x 7 Litres

Exchange-granules for demineralization (no picture)
2,5 Litres 3200.00.943
4 Litres 3200.00.914
7 Litres 3200.00.916
10 Litres 3200.00.938
14 Litres = 2 x 7 Litres
30 Litres = 4 x 7 Litres

Exchange-granules for pH-stabilization (no picture)
2,5 Litres 3200.00.944
4 Litres 3200.00.927
7 Litres 3200.00.926
10 Litres 3200.00.939
14 Litres = 2 x 7 Litres
30 Litres = 4 x 7 Litres

