

Connection Centre All-in-one 3228



6

Field of application

The SYR Connection Centre 3228 All-in-one is a connecting module used for filling the heating installation with soft and demineralized water and with water for pH-stabilization. Relevant for the

method is the refillable water softener or demineralization cartridge.

Design

The cartridges are refillable and available for 2,5, 4, 7, 14 and 30 Litres. The integrated BA-Filling-Combi automatically fills and refills central heating installations. The Connection Centre All-in-one is equipped with an inlet and outlet ball valve, integrated

blending valve which can be changed from water softening to demineralization, digital capacity-control with integrated conductivity measurement and remaining capacity display, a wall bracket, BA backflow preventer and a pressure reducing valve.

Materials

Body, internal parts and isolating valve are made of high-quality, low-lead brass alloy or stainless steel. Seals are made of elastomeric synthetic ma-

terial (hot-water and ageing-resistant). The springs are made of corrosion-resistant spring steel wire.

Installation

Install the Connection Centre before the heating installation. Do not install the device in rooms liable to humidity or frost. Fit the center to the wall

bracket. Mount the cartridges from below to the Connection Centre. The 14 litre-cartridges contain a pedestal (included in delivery).

Before installation, the pipeline must be flushed thoroughly. and Install the Connection Centre

horizontally in the pipe under consideration of the direction of flow and without applying stresses.

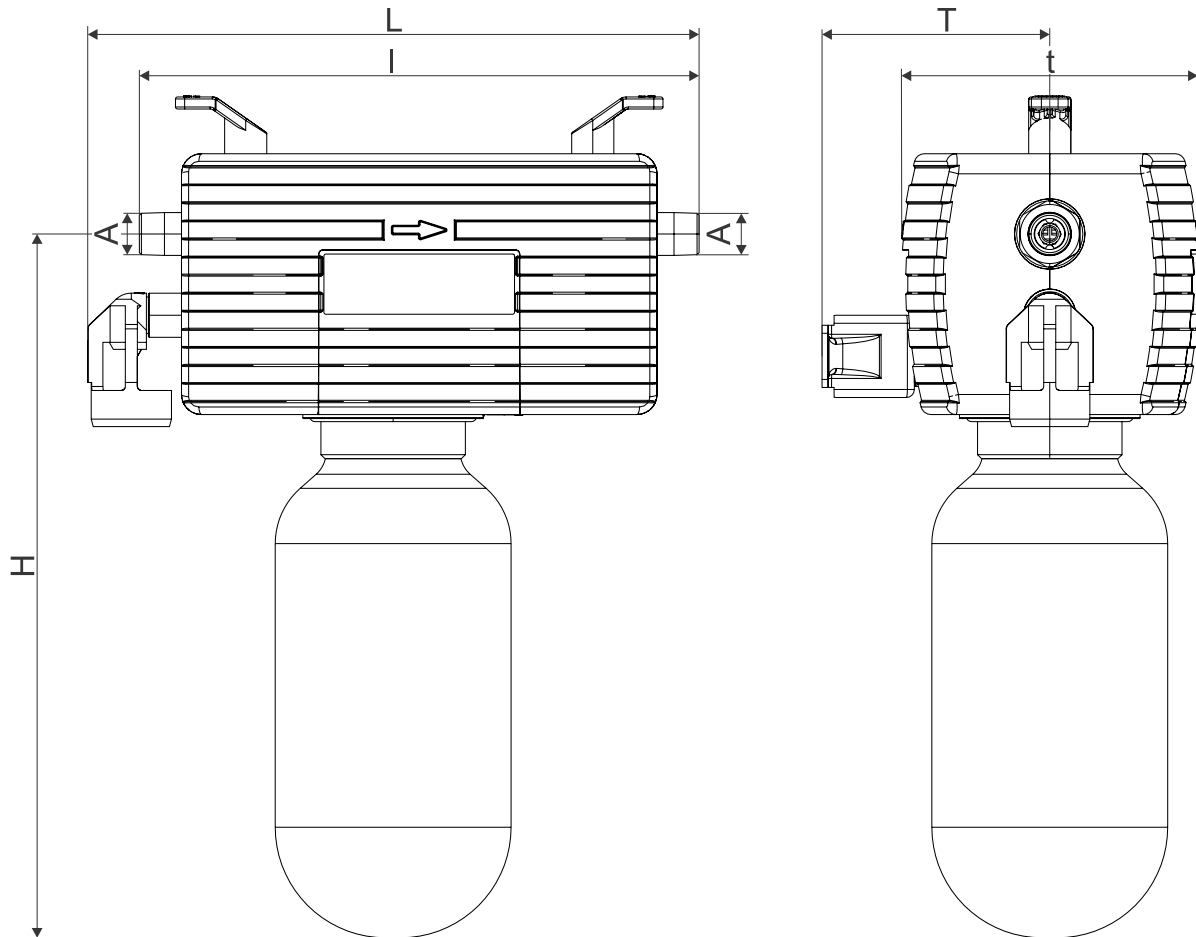
Technical data

Operating pressure:	max. 10 bar
Operating temperature:	max. 30 °C (inlet); max 65 °C (outlet)
Outlet pressure:	1 - 5 bar (factory set to 1,5 bar)
Mounting position:	main axis horizontal
Medium:	potable water
Flow rate capacity:	0,3 m ³ /h (with 2,5l-cartridge) 0,5 m ³ /h (with 4-14l-cartridge)
Serial number:	3228.15.026

Maintenance

The Connection Centre automatically reports an exhausted cartridge. Just refill the cartridge with

the refill resin. Pay attention to order the appropriate resin and size of the cartridge.

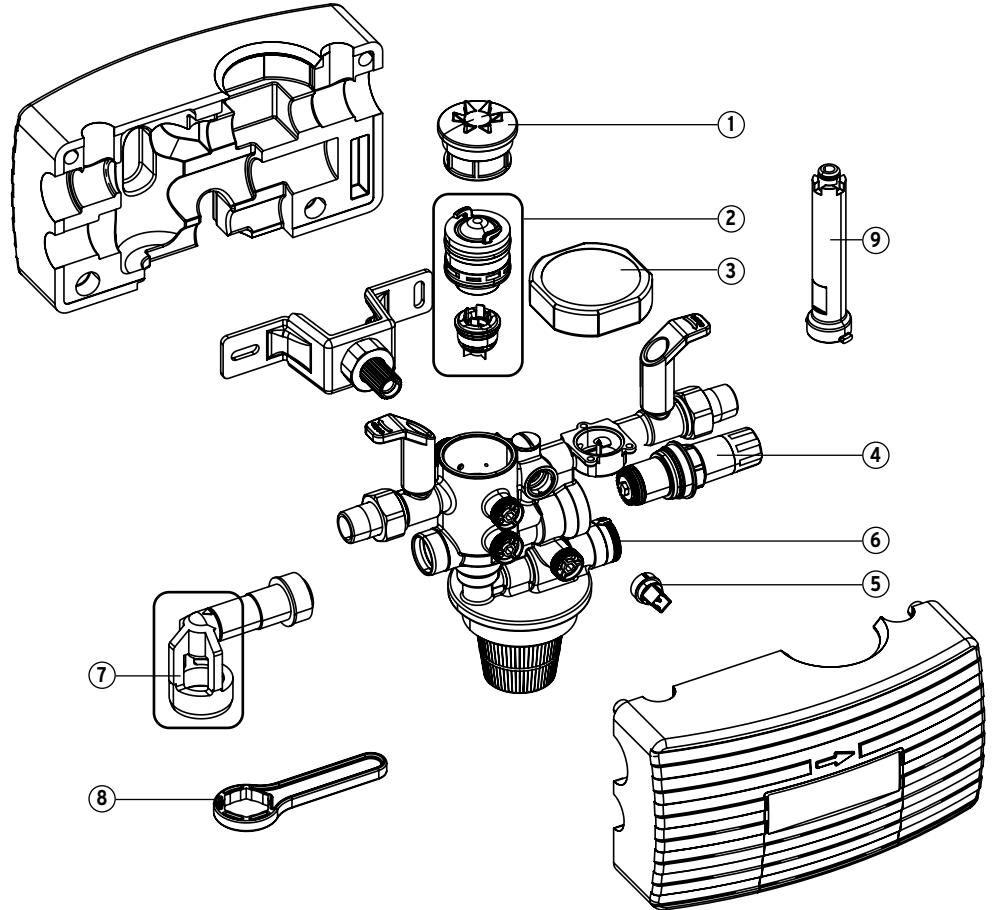


Nominal size	DN 20	
	A	R 1/2"
Dimensions	L (mm)	305 - 327 (adjustable)
	l (mm)	279
	T (mm)	91 - 113,5 (adjustable)
	t (mm)	148
	H (mm)	263 (2,5 Litres), 365 (4 Litres), 562 (7 Litres), 1017 (14 Litres), 922 (30 Litres)

3228 Connection Centre All-in-one

Components / Order numbers

- ①
Plug
3228.00.903
- ②
BA-cartridge
6600.00.974
- ③
Digital capacity control
3228.00.905
- ④
Pressure reducing cartridge
0315.15.900
- ⑤
Pressure sensor
3228.00.904
- ⑥
Blending valve
3200.15.914
- ⑦
Tundish
3228.00.901
- ⑧
Ring spanner
4807.00.906
- ⑨
Exchange tool
6600.00.970



**Cartridge water softener
(already filled)**

- 2,5 Litres 3200.00.021
- 4 Litres 3200.00.001
- 7 Litres 3200.00.003
- 14 Litres 3200.00.004
- 30 Litres 3200.00.018

**Cartridge demineralization
(already filled)**

- 2,5 Litres 3200.00.022
- 4 Litres 3200.00.011
- 7 Litres 3200.00.013
- 14 Litres 3200.00.014
- 30 Litres 3200.00.017

**Cartridge pH-stabilization
(already filled)**

- 2,5 Litres 3200.00.023
- 4 Litres 3200.00.015
- 7 Litres 3200.00.005
- 14 Litres 3200.00.006
- 30 Litres 3200.00.016

**Exchange-granules for
water softener (no pict.)**

- 2,5 Litres 3200.00.942
- 4 Litres 3200.00.904
- 7 Litres 3200.00.906
- 10 Litres 3200.00.937
- 14 Litres = 2 x 7 Litres
- 30 Litres = 3 x 10 Litres

**Exchange-granules for
demineralization (no pict.)**

- 2,5 Litres 3200.00.943
- 4 Litres 3200.00.914
- 7 Litres 3200.00.916
- 10 Litres 3200.00.938
- 14 Litres = 2 x 7 Litres
- 30 Litres = 3 x 10 Litres

Conductivity meter
from 09/2015 (no pict.)
3200.00.928

**Exchange-granules for pH-
stabilization (no pict.)**

- 2,5 Litres 3200.00.944
- 4 Litres 3200.00.927
- 7 Litres 3200.00.926
- 10 Litres 3200.00.939
- 14 Litres = 2 x 7 Litres
- 30 Litres = 3 x 10 Litres

