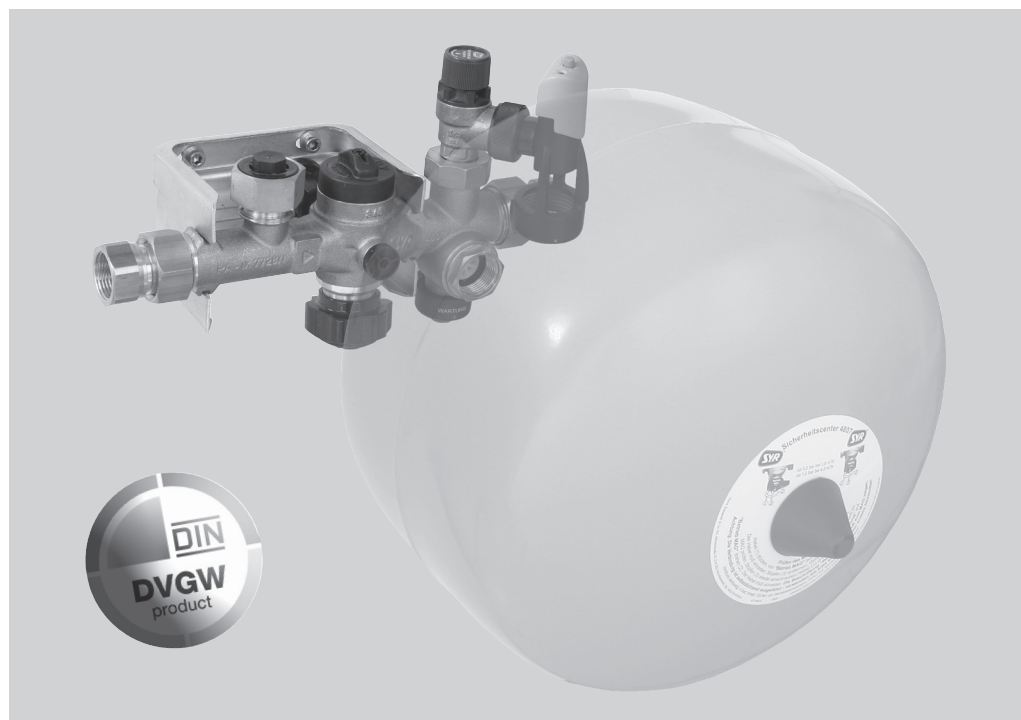


# Safety Center 4807

Safety group for potable water heaters with expansion vessel



5

## Field of application

The SYR Safety Center 4807 ensures the protection of unvented (pressurised) potable water heaters up to a maximum of 560 l. It includes in a compact unit all components required for the point of entry

equipment of potable water heaters, as well as an Anti-Legionella valve with an integrated isolating valve and an Anti-Legionella diaphragm expansion vessel with a nominal volume of 12 l or 18 l.

## Design

The Safety Center 4807 includes a connection for an additional cold water user, a double isolating system with an integral test port for the check valve, a check valve, a pressure relief valve with stainless steel seat and tundish, an Anti-Legionella valve with integral isolating valve for the diaphragm expansion vessel as well as an assembly plate with a screwed connection for the adjustment of the distance to the wall. The special design of the group allows the installation as angle or in-line type in horizontal and vertical pipes. The diaphragm

pressure relief valve can be rotated by 360° to adapt the device to various assembly conditions. The assembly plate allows a safe and time-saving installation. The enclosed exchange cartridges (8 + 10 bar) for the pressure relief valve cover the different potable water heater volumes and maximum service pressures. Using the integrated system check it can be quickly retrieved if the safety valve has dropped and what maintenance is required. The Safety Center 4807 fulfils the highest acoustic requirements.

## Materials

The body is made of a low-lead dezincification resistant gunmetal alloy. All spare parts are made of stainless steel; all pressure submitted synthetic parts of glass fibre reinforced synthetic material. The diaphragm and the sealing rings are made of heat and ageing resistant elastomeric synthetic material. The springs are made of corrosion resistant spring steel wire or stainless steel. The

expansion vessel is made of coated steel and the diaphragm of NBR. All materials are tested and certified by an internationally recognised test institute in Germany (DVGW). All synthetic components getting in contact with water designed for human consumption are approved by the German Public Health Office (KTW).

## Installation

Install the Safety Center 4807 close to the potable water heater or near the domestic point of entry. It is possible to combine the device with the DRUFI and the distribution modules. The domestic installation should be equipped with a filter and a pressure reducing valve. The set outlet pressure shall not exceed 80 % of the opening pressure of the pressure relief valve. The assembly plate

renders the installer's work very easy: the time-consuming installation with the distance to be met between the wall and the diaphragm expansion vessel and the complicated mounting of the latter with brackets and fixtures are no longer required. All directions of flow are possible as a result of the various mounting options.

Thoroughly flush the pipe prior to installation. Install the device without applying stresses. With the assembly plate included in the delivery, the distance to the wall is of 80 mm. This distance can be adjusted in a range between 80 and 95 mm by means of a screwed connection. The tundish of the

pressure relief valve has a 20 mm telescopic extension. To extend the drain line, it is also possible to use a copper pipe (22 mm) instead of the tundish. The exchange cartridges available as accessories can be easily replaced with the enclosed assembly key.

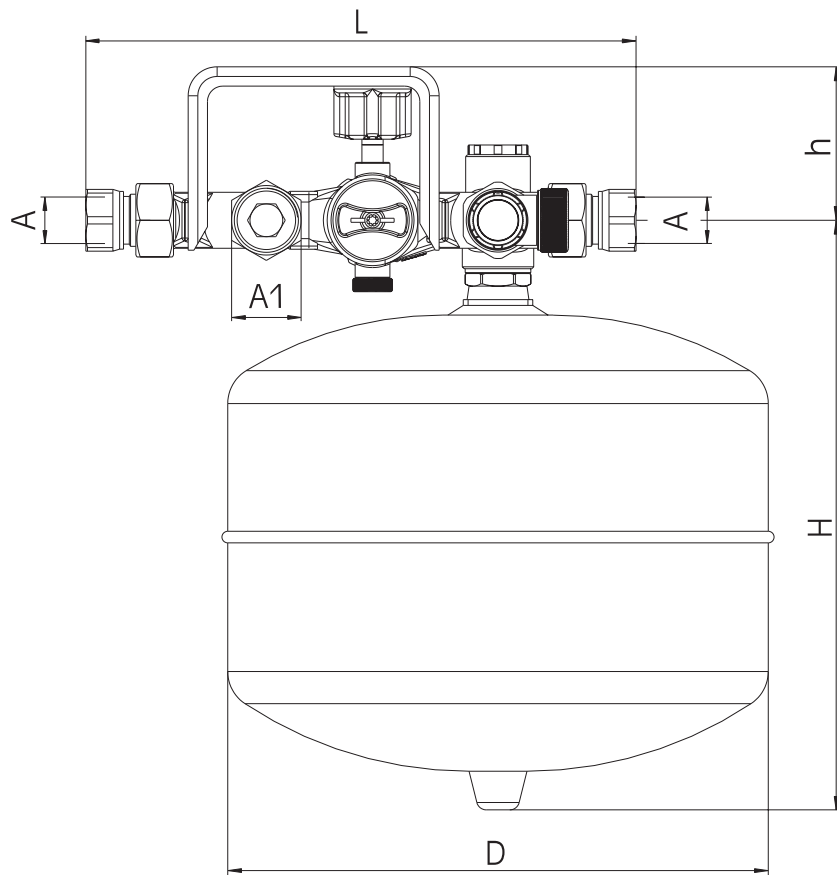
## Technical data

Inlet pressure:	max. 80 % of opening point of pressure relief valve
Service temperature:	max. 30 °C inlet temperature
Fluid:	potable water
Opening pressure:	6, 8 or 10 bar possible with enclosed exchange cartridges
Mounting position:	any
Flow rate:	1.9 m <sup>3</sup> /h bei 0.2 bar Δp 4.5 m <sup>3</sup> /h bei 1.0 bar Δp
Acoustic approval:	PA-IX 7728/I
Components approval number:	TÜV-SV-15-545-DN-W-p
Certified by DVGW:	NW-6160AT2654
Serial number:	4807...

## Maintenance

The pre-filled gas pressure in the diaphragm expansion vessel should be set at 0.2 bar below the static pressure of the installation. It is recommended to carry out maintenance works on the components on a regular basis in order to ensure the durable operation of the Safety Centre 4807. The pre-filled

gas pressure in the diaphragm expansion vessel and the functionality of the check valve should be controlled once per year. The pressure relief valve can be lifted by means of the rotatable knob. The design of the device allows easy maintenance or repair of all components.



Nominal size	DN 20					
	A			G 3/4"		
	A1			G 1"		
Dimensions in mm	L (mm)			285		
	h (mm)			80-90 (changable)		
	H (mm)			305 (12 litre MAG), 409 (18 litre MAG)		
	D (mm)			280		
Nominal volume of expansion vessel	12 litre			18 litre		
opening pressure of pressure relief valve	6 bar	8 bar	10 bar	6 bar	8 bar	10 bar
max. potable water heater volume	200 l	310 l	380 l	300 l	460 l	560 l

**Accessories**

Manometer with angle connection: 4807.00.900

Tester of gas pressure for diaphragm expansion vessel: 4807.00.905

## Components / Order numbers

- ①  
**Exchange cartridge**  
6 bar 2116.20.060  
8 bar 2116.20.061  
10 bar 2116.20.062
- ②  
**Tundish fwth Systemcheck**  
4807.00.922
- ③  
**Diaphragm pressure relief valve**  
6 bar 2115.20.050  
8 bar 2115.20.051  
10 bar 2115.20.052
- ④  
**Manometer plug**  
0828.08.000
- ⑤  
**Double isolating valve**  
4807.00.903 (up to 12/2015)  
0024.15.912 (from 10/2016)
- ⑥  
**Assembly key for cartridge exchange**  
max. Anzugsmoment 15 Nm  
4807.00.906
- ⑦  
**Maintenance cap**  
4807.00.904
- ⑧  
**Check valve**  
4807.00.902
- ⑨  
**Plug**  
4807.00.908
- ⑩  
**Diaphragm expansion vessel**  
12 Liter 4807.00.901  
18 Liter 4807.00.909

