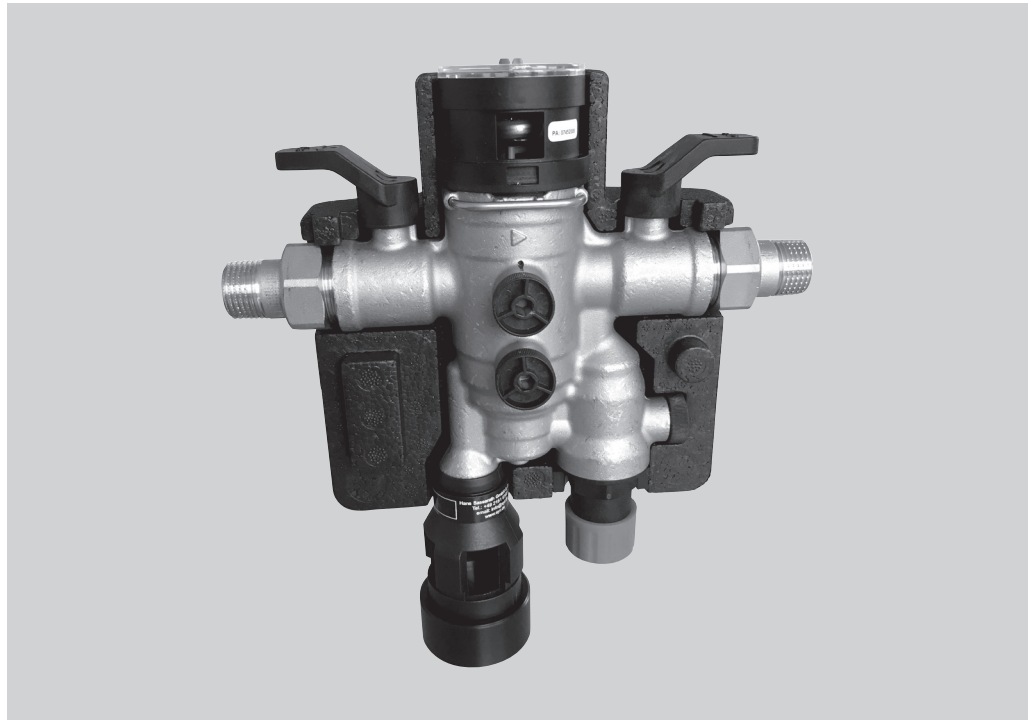


BA-Filling-Combi with double pressure gauge 6628.2

with permanent connection for automatic filling of heating installations according to EN 1717



7

Field of application

The BA-Filling-Combi 6628 automatically fills and refills central heating installations. It is permanently connected to the potable water pipe as stipulated by EN 1717. When the supply pressure falls below the pressure of the heating installation during the filling operation, the integral BA backflow preventer prevents the backflow of heating water into the

potable water pipe. Even heating water with inhibitors (anti-corrosion products and antifreezer) can be permanently connected to the potable water system by means of the BA-Filling-Combi, which makes the laborious hose connection unnecessary. When the system is filled, the isolating valve of the BA-Filling-Combi should be closed again.

Design

The BA-Filling-Combi 6628 includes an inlet and outlet isolating valve, a pressure reducing valve, a double pressure gauge, a BA backflow preventer

and a drain connection, i.e. all the components required to fill a heating installation in con-formity with European Standards.

Materials

The body is made of dezincification-resistant brass, the screw caps of high-quality glass fibre reinforced synthetic material and the rubber parts of ageing-resistant elastomer. The diaphragm is reinforced by means of polyamide. The springs are

made of corrosion protected spring steel wire, all other parts of stainless steel 1.4305 or dezincification-resistant brass. The stainless steel strainer has a mesh width of 0.25 mm.

Installation

The BA-Filling-Combi 6628 is permanently connected to the heating installation. Free access to the device must be provided permanently and it shall not be installed in locations liable to flooding or frost. The connected drain device must be able to collect the drained volume. No hose needs to be connected anymore for the filling operation. When connecting the filling device, observe EN 1717. We recommend to install a drinking water filter

upstream in order to ensure the perfect function of the valve.

Thoroughly rinse the pipe prior to installation. Install the BA-Filling-Combi horizontally in the heating pipe under consideration of the direction of flow and without applying stresses. When installing the connection line, ensure that water cannot stagnate.

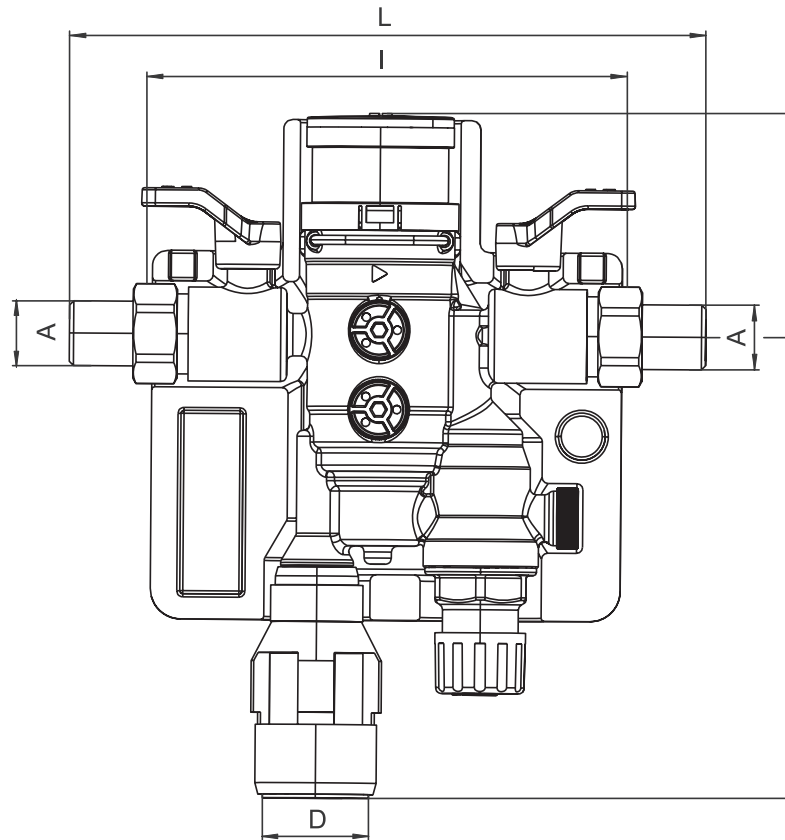
Technical data

Connection size:	DN 20
Inlet pressure:	max. 10 bar
Outlet pressure:	1,5 - 5 bar
Factory setting:	1.5 bar
Fluids:	potable water
Filling capacity:	1,5 m ³ /h at 1,5 bar Δp
Operating temperature:	max. 30 °C (inlet side) max. 65°C (outlet side)
Mounting position:	horizontal, tundish connection downwards
Serial number:	6628.20.008

Maintenance

The pressure reducing valve of the BA-Filling-Combi 6628 is factory-set to 1.5 bar. To adjust the pressure, loosen the safety screw in the adjustment handle. To reduce the outlet pressure, turn the adjustment handle in the direction of the minus symbol (-), to increase it, turn the adjustment handle in the direction of the plus symbol (+). The perfected design of the cartridge system allows to carry out repair

and maintenance works on the pressure reducer cartridge without having to drain the installation. EN 1717 prescribes maintenance works on the BA backflow preventer on a regular basis. The connections for ball valves available in each pressure zone allow testing the function of the valve with the corresponding accessories (service kit number 6600.00.000).



Nominal size	DN 20	
Dimension	A	R 3/4"
	H (mm)	153
	h (mm)	73
	L (mm)	210
	I (mm)	154
	D (mm)	40

Accessory:

Test kit: electronic pressure measurement device for inspection and maintenance:
Service key for BA cartridge:

6600.00.000
6600.00.970

Components / Order numbers

①
Double pressure gauge
3328.00.902

②
BA cartridge, complete
6600.00.974

③
Tundish, complete
6600.00.903

④
Pressure reducing cartridge
0315.00.900

⑤
Assembly key
4807.00.906

⑥
Service key
6600.00.970

