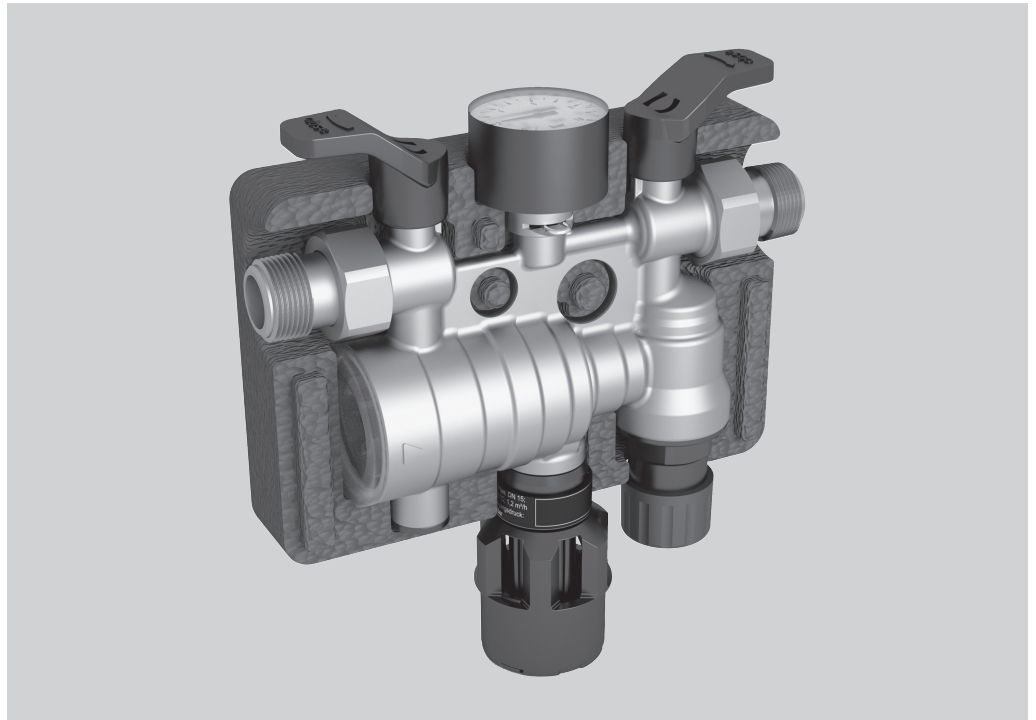


CA-Filling-Combi 6828 plus

with permanent connection for automatic filling of unvented (pressurised) systems according to EN 1717



7

Field of application

The CA-Filling-Combi 6828 plus automatically fills and refills unvented (pressurised) systems. It is permanently connected to the potable water pipe as stipulated by EN 1717 and provides protection up to category 3. When the supply pressure falls below

the system pressure during the filling operation, the integral CA backflow preventer (class „a“) prevents the backflow of non potable water into the potable water pipe.

Design

The CA-Filling-Combi 6828 plus consists of a pressure reducing valve, a CA backflow preventer, isolating valves and a drain connection. It includes

all components required to fill unvented and vented systems in conformity with European Standards.

Materials

The body is made of dezincification-resistant brass. The diaphragm is reinforced by means of polyamide. The springs are made of corrosion protected spring steel wire, all other parts of stainless steel or dezincification-resistant brass. The stain-

less steel strainer has a mesh width of 0.25 mm. All synthetic parts getting into contact with water comply with the recommendations of the German Health Office (KTW).

Installation

The CA-Filling-Combi plus is permanently connected to the unvented system. Free access to the device must be provided permanently and it shall not be installed in locations liable to flooding or frost. The connected drain device must be able to collect the

drained volume. The connection of a hose is no longer needed to fill the system. When connecting the filling device, observe EN 1717. We recommend to install a drinking water filter upstream in order to ensure durable functionality of the valve.

Thoroughly rinse the pipe prior to installation. Install the CA-Filling-Combi plus in the system under consideration of the direction of flow and without

applying stresses. Make sure that the tundish faces downwards. When installing the connection line, ensure that water cannot stagnate.

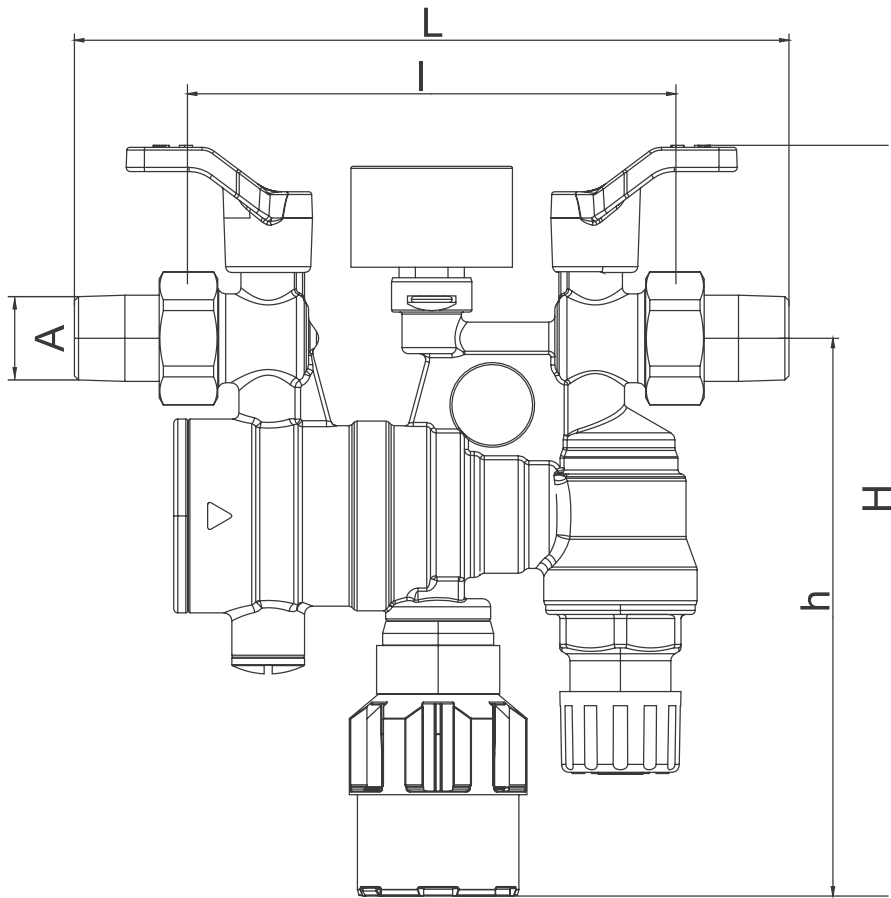
Technical specifications

Connection size:	DN 15
Inlet pressure:	max. 10 bar
Outlet pressure:	1.5 - 5 bar
Factory setting:	1.5 bar
Fluids:	potable water
Filling capacity:	1,3 m ³ /h at 1,5 bar Δp
Operating temperature:	max. 30 °C (inlet side)
Mounting position:	horizontal, tundish connection downwards
Serial number:	6828.15.005

Maintenance

The pressure has to be set at static pressure. To adjust the pressure, loosen the safety screw in the adjustment handle. To reduce the outlet pressure, turn the adjustment handle in the direction of the minus symbol (-), to increase it, turn the adjustment handle in the direction of the plus symbol

(+). The perfected design of the cartridge system allows to carry out repair and maintenance works on the pressure reducer cartridge without having to drain the installation. It is recommended to carry out maintenance works on a regular basis to ensure a durable function.



7

Nominal size		DN 15
	A	R 1/2"
Dimensions	L (mm)	177
	l (mm)	121
	H (mm)	186
	h (mm)	138

Components / Order numbers

- ①
Manometer
6828.00.905
- ②
Pressure reducer unit
6629.00.905
- ③
Tundish
6629.00.900
- ④
**CA cartridge, complete with
mounting help**
6600.00.974
- ⑤
Isolating handle
6828.00.904
- ⑥
**Mounting key for Backflow
preventer and pressure
reducing cartridge**
6628.00.933

