

Important notice

These instructions are to be read in conjunction with manufacturers manual Technical Data and Installation instructions.

This combination consists of a pressure reducing valve with integral strainer, check valve, expansion valve and connection for an expansion vessel.

The pressure settings are set and locked in the factory and are shown on the top of each valve. For optimum performance the following installation instructions should be complied with.

Installation

- 1 Cold water supply to be 22mm nominal size.
- 2 Flush supply pipework before connection to remove all flux and debris prior to fitting the inlet controls. Failure to do this may result in irreparable damage to the controls and will invalidate the warranty.
- 3 The "MULTIBLOC" can be fitted in any orientation to suit the installation as long as it is fitted in the correct flow direction. Check the flow arrows on the side of the body.
- 4 The expansion valve should be installed with the discharge from the expansion valve either horizontal or upright - if fitted inverted, debris may be deposited on the seat and cause fouling of the seat when the valve operates. Check direction of flow arrows.
- 5 The black plastic plugs in the body are pressure gauge connections to enable pressure monitoring to be carried out, should the system develop a fault. It is recommended that these be accessible (the pressure reducing valve has two - only one need be accessible).

- 6 Expansion relief drain pipework must be connected to a safe visible discharge point via a tundish and the pipework must have a continuous fall.
- 7 If the pressure reducing valve has two outlets the second one is for a balanced cold water supply. If not used blank it off.
- 8 For installations requiring an expansion vessel, use the integrated connection.

Maintenance

Under normal circumstances the "MULTIBLOC" combination control valve should not require any maintenance. However, annual inspection and/or cleaning of the integral line strainer, pressure reducing valve cartridge, expansion relief valve cartridge and seating may be necessary depending on local water conditions.

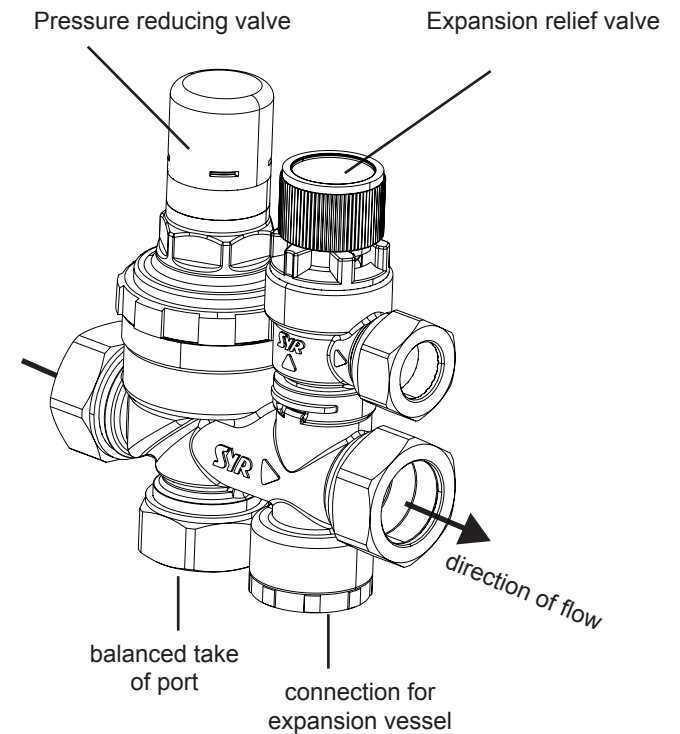
PRESSURE REDUCING VALVE

- 1 Isolate cold water supply.
- 2 Unscrew the cap and remove the cartridge.
- 3 Clean the cartridge with cold clear water only.
- 4 Assembly in reverse order.

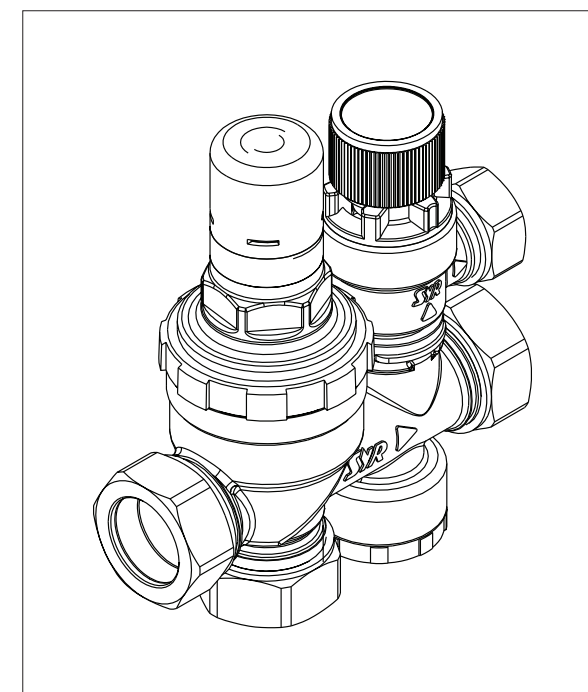
EXPANSION RELIEF CARTRIDGE

- 1 Isolate cold water supply.
- 2 Unscrew blue expansion relief head work from valve body.
- 3 Clean valve seat face and seating - do not scratch or damage either seal face or seating.
- 4 Refit in reverse order.

For system fault finding instructions see main instruction book.



Installation and Maintenance Instructions



MULTIBLOC

Hans Sasserath GmbH & Co KG
Tel.: +49 2161 6105-0 Fax: +49 2161 6105-20
Mühlenstr. 62 D-41352 Korschenbroich