

Safety Assembly 322

for electric storage water heaters up to 10 l, with stainless steel seat



5

Field of application

The safety assembly type 322 protects unvented (pressurised) electric wall-mounted water heaters up to a volume of 10 l. This streamline-shaped compact valve includes all components required for protection, such as isolating valve and diaphragm pressure relief valve. The pressure relief valve protects the downstream water heater by

automatic opening, which prevents the pressure from exceeding the admissible service pressure. The safety assembly type 322 is a robust model with a stainless steel seat, which is also suitable for aggressive water conditions. The isolation of the device can also be used as a flow limiting valve.

Design

The safety assembly type 322 is made of a high mirror finished chrome-plated brass housing. The safety assembly type 322.1 including a tested pressure relief valve, a wear resistant stainless steel seat, an isolating valve, a manometer plug

and chrome-plated connection accessories is also supplied with a siphon to collect expansion water. The SYR module system allows easy maintenance or exchange of all components of the safety assembly type 322.

Materials

The body, internal components, plug and unions of the safety assembly type 322 are made of a high quality low-lead brass alloy. The seat of the pressure relief valve is made of wear-resistant stainless steel. The isolating knob and the siphon are made of high quality synthetic material. The diaphragm of the pressure relief valve and all sealing elements are made of heat and ageing resistant elastomeric synthetic material. The spring of the pressure relief

valve is made of corrosion resistant spring steel wire. The connecting tubes are made of chrome-plated copper. All materials are tested and certified by an internationally recognised test institute in Germany (DVGW). All synthetic components getting in contact with water designed for human consumption are approved by the German Public Health Office (KTW).

Installation

Install the safety assembly type 322 in the cold water pipe upstream of the water heater according to specifications. Install a filter upstream at the domestic point of entry in order to ensure durable functionality of the device. The safety assembly should be readily accessible to simplify maintenance works.

Due to heat expansion water can drip from the drain pipe for safety reasons when the water heater is heating. Do not shut off! Follow the manufacturers' indications for the water heater when installing the safety assembly type 322.

Thoroughly flush the pipe prior to installation. Install the safety assembly type 322 in the cold water supply line according to manufacturers' indications. Use the connecting pipes included in the delivery

for connection with the potable water heater. Do not apply stresses. Make sure that the union is correctly positioned.

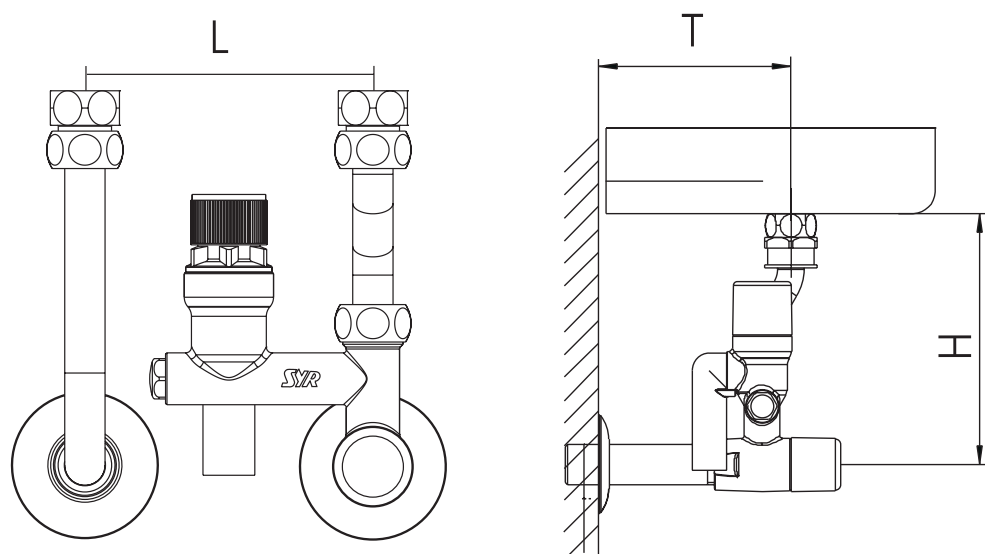
Technical data

Inlet pressure:	max. 16 bar
Service pressure:	max. 20 % below set pressure of pressure relief valve
Standard setting:	322: 7 bar, 322.1: 10 bar
Operating temperature:	max. 30 °C (inlet temperature)
Fluid:	potable water
Components approval number:	TÜV-SV-15-545-DN-W-p
Certified by DVGW:	NW-6311AU2210
Acoustic testing:	PA-IX 7722/1
Serial number:	0322...

Maintenance

It is recommended to carry out maintenance works on a regular basis for durable functionality of the safety assembly type 322. The diaphragm pressure relief valve can be lifted by means of the rotatable knob. The supply line can be isolated by means of the stop valve in the safety assembly for maintenance works on the downstream system (incl.

pressure relief valve). Unscrew the head part for cleaning the seat and seal of the pressure relief valve; the opening pressure remains unchanged. Use the exchange cartridge type 2116 for repair of the pressure relief valve. The stainless steel seat can also be replaced, if required.



5

Nominal size		DN 15
		G 1/2"
Dimensions in mm	L (mm)	100
	T (mm)	70 - 100
	H (mm)	125 - 140

Models Typ 322: without siphon
Typ 322.1: with siphon

Accessories Manometer: 0010.08.500



Components / Order numbers

①
Warm water connection
0323.15.900

②
Cold water connection
0323.15.901

③
Isolating unit
0323.15.906

④
Exchange cartridge
2116.20.006

⑤
Siphon
(only 322.1)
0319.25.900

⑥
**Assembly key for exchange
of head part**
4807.00.906
max. torque 15Nm

