

Safety Group for Warm Water Heaters 0330

for pressure resistant water heaters up to 10 kW



5

Field of application

The safety group type 0330 is designed for the optimal protection against excess pressure in unvented water heaters in compliance with NF EN 1487. This compact device includes all components required

by the standard NF EN 1487 for the equipment of water heaters. The pressure relief valve protects the downstream installation. The check valve prevents the backflow of heated potable water.

Design

The safety group type 0330 includes an isolating valve, a check valve with test port, a diaphragm pressure relief valve as well as a rotatable tundish with a pipe interrupter, which prevents the back-siphonage of drain water. The special siphon allows

to drain the water resulting from excess pressure without spillage. The diaphragm pressure relief valve, which is simple to exchange, is equipped with a stainless steel seat to ensure wear and corrosion resistance.

Materials

All materials used in the safety group type 0330 comply with the high requirements of the NF EN 1487 standard. The synthetic materials getting into contact with potable water fulfil the ACS requirements (Attestation de Conformité Sanitaire). All materials are corrosion resistant. The body, internal

components and unions are made of a high-quality low lead alloy. The spring cap of the pressure relief valve is made of glass fibre reinforced synthetic material; the spring of the corrosion resistant pressure relief valve is made of spring steel wire and the spring of the check valve of stainless steel.

Installation

The response pressure of the safety group shall not exceed the admissible service pressure of the water heater. The safety group type 0330 is used when the supply pressure does not exceed 75% of the response pressure of the pressure relief valve. When the supply pressure exceeds this value, the pressure reducing valve available as accessory

needs to be installed. In case of uncertain pressure conditions, we recommend the safety group, which includes a pressure reducing valve. It is normal that water leaks during the heating process; the volume of this drain water can amount to approximately 3% of the water heater capacity.

Always mount the safety group upstream of the water heater under consideration of the direction of flow; it has to be fitted without applying stresses in the cold water supply pipe, which has been thoroughly flushed beforehand. The special design of the group allows the installation in vertical or horizontal position. There shall be no isolating valve, narrowing or strainer between the pressure relief valve and the water heater. The safety group should be readily accessible to simplify maintenance works. Connect the siphon included in the delivery to the tundish of the diaphragm pressure relief valve by means of the adaptor. It is rotatable and allows optimal fixing and positioning when being

installed. The special design prevents the spillage of overpressure water. If necessary, a Teflon-Isolator (available as accessory) can be installed for the protection against overvoltage. Mount the pipe interrupter so that it prevents any stoppage. Follow the sanitary prescriptions.

Only qualified personnel is authorized to install and to service the device. Follow the maintenance indications! The special packaging secures the device for transport. Should the packaging or the product be seriously damaged, do not install. The warranty does not cover malfunctions of the group caused by the accumulation of impurities.

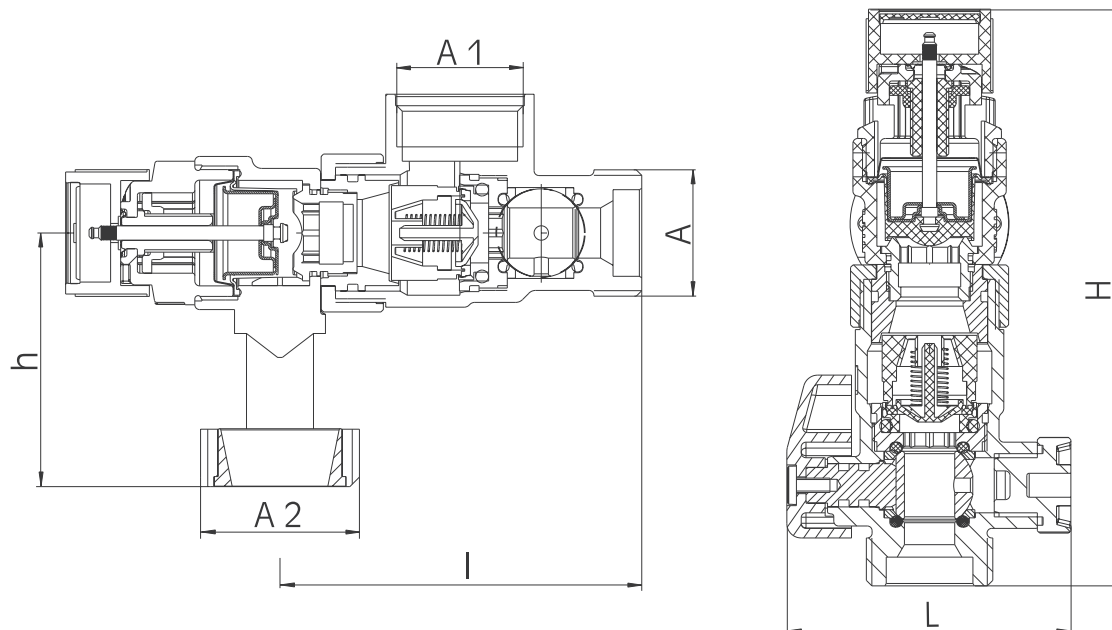
Technical specifications

Fluids:	potable water
Service pressure:	5.25 bar (25% below the response pressure of the pressure relief valve)
Response pressure:	factory set to 7 bar
Service temperature:	max. 95°C
Flow rate:	3.5 m ³ /h accord. to NF EN 1487 for DN 20
Serial number:	0330...

Maintenance

It is recommended to carry out maintenance works on a regular basis in order to ensure perfect functionality of the safety group. The seat and seal can be cleaned without altering the pressure. The function test and, if required, the check valve exchange

can be done any time; first close the integrated ball valve. The check valve becomes accessible by loosening the fitting of the tundish and of the pressure relief valve. Actuate the pressure relief valve and the isolating valve at least once per month.



5

Nominal size		DN 20
	A	G 3/4"
	A 1	G 3/4"
	A 2	G 1"
Dimensions in mm	L (mm)	120
	l (mm)	76
	H (mm)	59
	h (mm)	53

Components / Order numbers

①
Accessory I SG DN20
0330.20.900

②
Isolating unit
0330.20.902

③
Check valve cartridge
0330.20.904

④
Body
0330.20.903

⑤
Exchange cartridge
0330.20.905

⑥
Accessory II SG DN20
0330.20.901

