

Thermostatic Mixing Valve 705

with protection against scalding



5

Field of application

The thermostatic mixing valves 705 offer accurate temperature control between the cold and hot water supply. The valves are designed to control

water temperature for central mixing applications for domestic hot water systems, including solar systems and heat pumps.

Design

This devices work as proportionally operating thermostatic mixing valves with a thermoelement. The valves are equipped with a special easy to use push fitting mounting system. With the 705 adjustable

mixing valve the required water temperature can simply be set by turning the adjustment knob. The synthetic material of body and internal parts reduces lime scale and increases service performance.

Thermostatic mixing valve 705

Materials

The body and internal parts are made of glass fibre reinforced synthetic material; the adjustment knob is also made of high quality synthetic material. The

spring is made of corrosion resistant spring steel wire and the sealing elements of heat resistant elastomeric synthetic material.

Installation

Install the mixing valve in any mounting position. Follow the connection instructions in the user's

manual.

Thoroughly flush the pipes prior to installation. It is recommended to install a filter at the domestic point of entry to ensure a durable and correct

operation. Install the device in the pipe without applying stresses. The cold water inlet is marked with „C“ and the hot water inlet with „H“.

Technical data

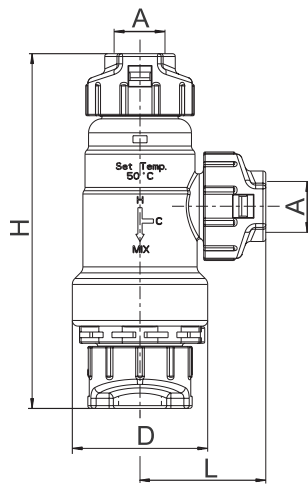
Operating pressure:	max. 6 bar
Inlet temperature, hot water (PWH):	15 - 90 °C
Inlet temperature, hot water (PWC):	5 - 30 °C
Mising temperature (0705 / 0705 rotatable):	55 °C
Temperature setting range (0705 adjustable):	35 - 55 °C
Factory-set temperature:	55°C
Flow rate:	0,7 m ³ /h at Δp 0,5 bar
Mounting position:	any
Fluid:	water
Serial number:	0705...

* the inlet temperature hot water (PWH) must be at least 10 K higher than the setting in the control range

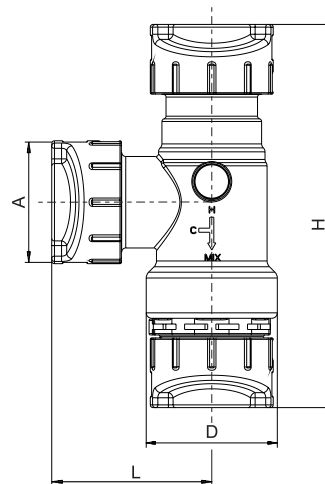
Maintenance

Low maintenance and the valve should be checked every two years. Do not clean systhetic parts with

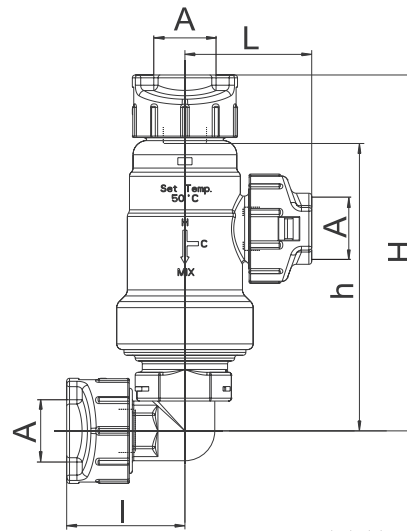
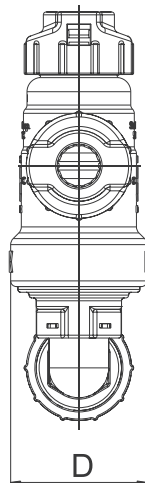
solvent-based detergents.



705



705 adjustable



705 rotatable

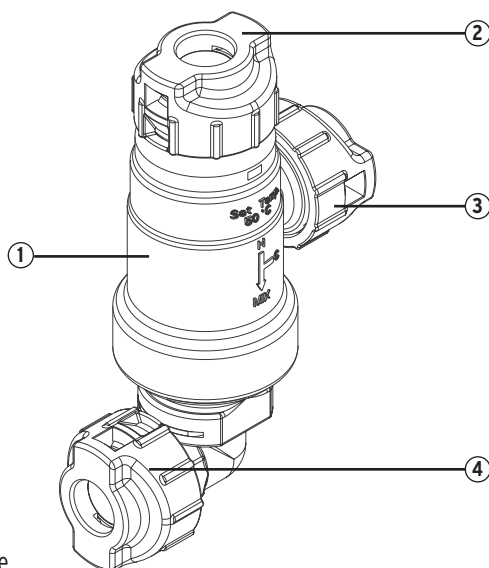
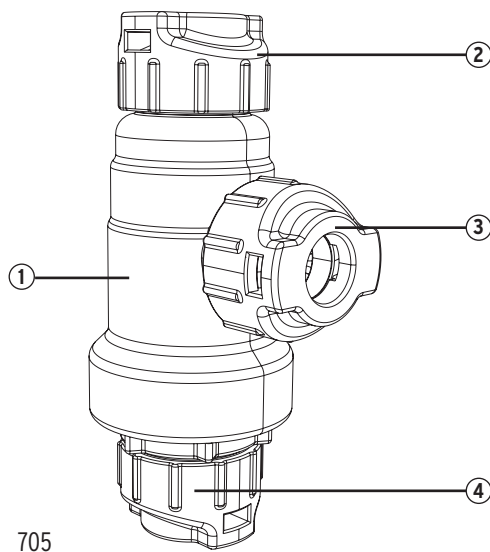
5

Nominal size		0705 DN 15	0705 rotatable DN 15	0705 adjustable DN 20
Dimensions in mm	A (mm)	15 mm push-fitting	15 mm push-fitting	22 mm push-fitting
	H (mm)	126	125	140
	h (mm)	-	101	-
	L (mm)	45	45	59
	I (mm)	-	42	-
	D (mm)	48	48	48

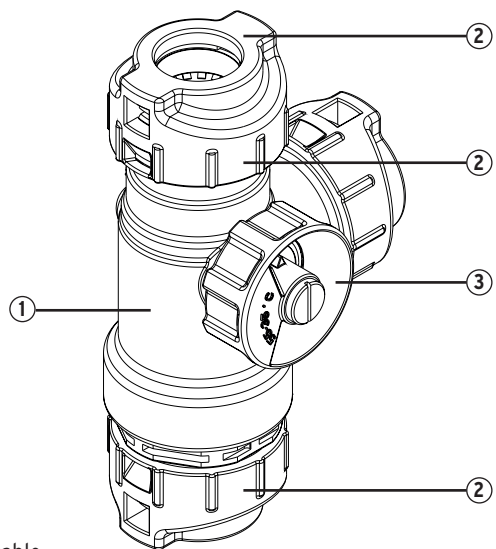
Thermostatic mixing valve 705

Components / Order numbers

- ① **Body**
- ② **Coupling**
Hot water supply (red)
- ③ **Coupling**
Cold water supply (blue)
- ④ **Coupling**
Mixed water (black)



705 rotatable



705 adjustable