

Thermal Safety Valve 3065

Safety valves for solid fuel fired boilers



7

Field of application

The SYR thermal safety valve type 3065 prevents excess temperatures in solid fuel fired boilers in water-based closed circuit heating systems. Heating capacities of up to a maximum of 100 kW

are allowed for these systems. It is indispensable to install a thermal safety valve in systems in which the heat-generating device is equipped with a water heater.

Design

The thermal safety valve type 3065 is a pressure-relieved single-seated valve that opens in case of rising temperature. It is controlled by means of two independent temperature transmitters. The thermal safety valve is liftable. Cleaning the seat and seal

does not change the temperature setting. The compact temperature transmitter can be removed to facilitate the assembly of the valve. A metal hose coating prevents any damages on the capillary tubes from the sensor to the transmitter.

3065 Thermal safety valve

Materials

Body, inner parts, cap, immersion sleeve and union are made of a high quality low-lead brass alloy. Valve and immersion sleeve are nickel-plated. Piston and temperature transmitter are made of heat re-

sistant synthetic material, spring of stainless steel. All seals are made of heat and ageing resistant elastomeric synthetic material. Capillary tubes and temperature sensor are made of copper.

Installation

Install the thermal safety valve preferably in the cold water inlet of the safety heat exchanger. This type of installation protects the valve against impurities due to lime scale deposits or similar effects. Install the valve in the warm water outlet only in case of older boiler models where the protection

is provided by an integrated potable water heater without temperature control. The boiler is indirectly cooled down by the cold water flowing into the potable water heater, which prevents the temperature from exceeding the admissible maximum of 115°C.

Thoroughly flush the pipe prior to installation. Install the valve without applying stresses. It is recommended to install a potable water filter in order to ensure perfect and durable functionality.

The correct positioning of the valve and a thorough check of the surrounding system prevent malfunctions. The correct positioning of the immersion sleeve in the boiler is of particular importance.

Technical data

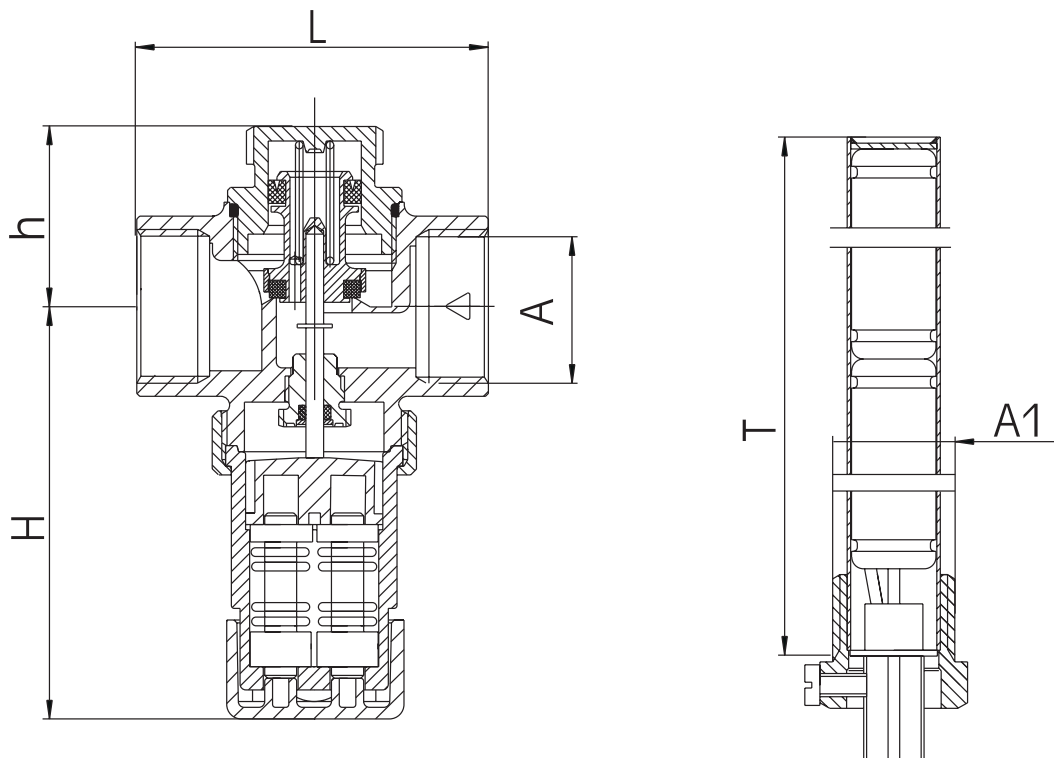
Operating overpressure:	max. 10 bar
Operating temperature:	max. 125°C
Opening temperature:	95°C, special model: 55°C
Mounting position:	any
Length of capillary tube:	1.3 m, special model: 5 m
Approval number:	TH 797
Serial number:	3065...

CE 0085

Maintenance

Should the thermal safety valve drip constantly, it is generally due to impurities. When impurities have damaged the seal, the piston can be exchanged separately.

The disassembly of the valve for maintenance or repair is not required due to the separate positioning of the components within the thermal safety device.



Nominal size		DN 20
Dimensions in mm	A	G 3/4"
	L (mm)	60
	H (mm)	70
	h (mm)	31
	T (mm)	150
	A1	1/2"

3065 Thermal safety valve

Components / Order numbers

- ① **Screw cap**
3065.20.909
- ② **Spring**
3065.20.918
- ③ **Piston**
3065.20.921
- ④ **Body**
3065.20.919
- ⑤ **Stuffing box**
3065.20.911
- ⑥ **Temperature probe**
3065.20.903
- ⑦ **Body complete**
3065.20.920
- ⑧ **Immersion sleeve**
3065.20.902

