

# Fill-Caddy 3200



6

## Field of application

SYR's Fill-Caddy 3200 is designed for the mobile filling of large heating plants with softened, fully demineralized water or water for pH-stabilization

(VDI 2035/I). It includes all components required for a standard-conforming filling process.

## Design

The Fill-Caddy 3200 from SYR includes a Euro Filling-Combi, type BA with an integrated BA backflow preventer and a pressure reducing valve, a backwashable pre-filter a Connection Center 3200

from SYR with a digital capacity control, an already filled 30 Litres cartridge, two connection ½" hoses (4m) with a quick couplings system, a water hardness measuring device and a service report.

## 3200 Fill-Caddy

### Materials

The functional parts are made of high-quality synthetic material. The body and internal synthetic parts are made of shock-resistant thermoplast and the rubber parts of ageing-resistant elastomer. All

remaining functional parts are made of a dezincification-resistant brass alloy and stainless steel. The materials used are state-of-the-art.

### Installation

Install the BA Euro Filling-Combi and the connection center 3200 upstream of the heating system by

means of the enclosed hoses under consideration of the correct direction of flow.

Use only potable water when filling the system.

### Technical specifications

Operating pressure:

Pre-filter: max. 16 bar  
BA Filling-Combi: 10 bar  
Connecting Center: 6 bar

Operating temperature:

Pre-Filter: max. 30 °C  
BA Filling-Combi: max. 30 °C (inlet)  
BA Filling-Combi: max. 65 °C (outlet)  
Connection Center: max. 30 °C

Medium:

Potable water

Cartridge-Volume

30 Litre

Capacity:

109.200 litres x °dH (water softening)  
37.500 litres x °dH (demineralization)  
27.850 litres x °dH (pH-stabilization)

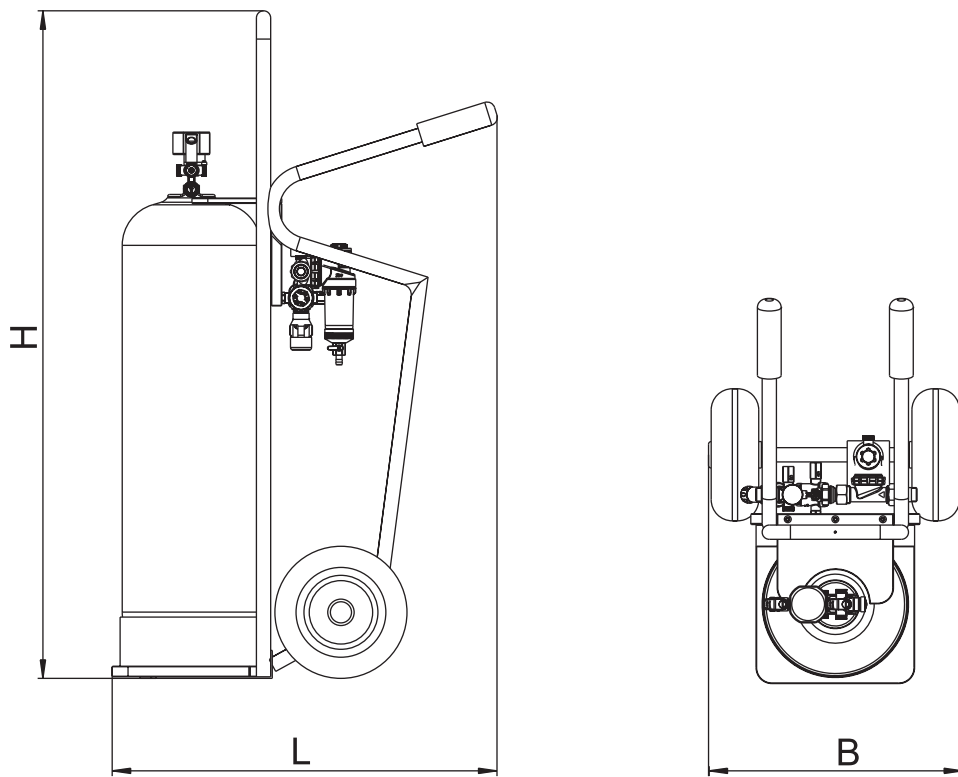
Serial number:

3200.15. ...

### Maintenance

The Connection Center produces an automatic signal when a cartridge is used up, in which case the latter only has to be refilled. As the functional parts are designed as cartridge system, the pressure reducer cartridge can be serviced and repaired without having to drain the system. Service the pressure reducing valve on a regular basis. The

filter needs to be serviced every 6 months or when the flow rate is reduced due to increased pressure loss. The BA backflow preventer has to be serviced once per year. As each pressure zone is equipped with connections for ball valves, use the relevant accessories (maintenance kit art. 6600.00.000) to make the functional test of the device.



**Nominal size**

**Dimensions**

H (mm)	1300
L (mm)	600
B (mm)	570

## 3200 Fill-Caddy

Components / Order numbers

- ①  
**Connecting Center**  
3200.15.010
- ②  
**Cartridge (already filled)**  
30 Litres
- ③  
**Sack Trolley**
- ④  
**BA Euro Filling-Combi**  
6628.00.919
- ⑤  
**Pre-Filter**

**no picture**  
water hardness measuring  
device  
3000.00.913

**Exchange-granules for water  
softener (no picture)**  
30 litre = 3 x 10 litres  
3200.00.937

**Exchange-granules for demi-  
neralization (no picture)**  
30 litre = 3 x 10 litres  
3200.00.938

**Exchange-granules for pH-  
stabilization (no picture)**  
30 litre = 3 x 10 litres  
3200.00.939

