

Heating filter HF 3415 3415

Backwash filter with automatic air vent for heating installations



7

Field of application

The heating system filter HF 3415 from SYR is a combined dirt and air separator for heating systems and is designed for the filtration, desludging, magnetic separation and degasification of hot water heating circuits in accordance with EN 12828. The high-performance filter combination removes coarse-grained and fine-grained impurities (e.g. rusty sludges) that may lead to malfunctions of

control and regulating valves, as well as noisy and corrosive gases (e.g. nitrogen, oxygen). It also removes magnetic and non-magnetic particles and the cleaning of the filter can easily be done by backwashing. To mount the device in the pipe, use SYR's universal flange with additional outlet connections for heating systems listed under Accessories.

Design

The heating system filter 3415 from SYR is composed of a body chamber with a backwash filter and is equipped with a self-actuating air separator including a gas venting valve and a magnetic

separator. To mount the flange, use the hexagonal socket screws and the corresponding wrench included in the delivery.

Materials

The body, the internal parts, the stop valve and the gasket are made of a high-quality low-lead brass alloy and stainless steel or elastomeric synthetic

material (hot water and ageing resistant). The heating system filter is also equipped with an insulating cover.

Installation

Always install the body of the heating system filter in vertical position in the supply or return line. Make sure that the installation space is dry and frost-free. To ensure perfect backwashing, observe a free space of at least 400 mm below the heating system filter. Connect a manual or automatic filling

system by means of the universal flange with additional outlet connections required for the installation. We recommend the convenient automatic BA Filling-Combi, type 6628.

When mounting the device, prevent any water stagnation (supply pipe max. 10 x DN).

Mount the device with the universal flange with additional outlet connections (to be ordered separately). It is suited for vertical and horizontal pipes.

Install the flange in the pipe under consideration of the direction of flow without applying stresses. The surface of the flange has to be in vertical position.

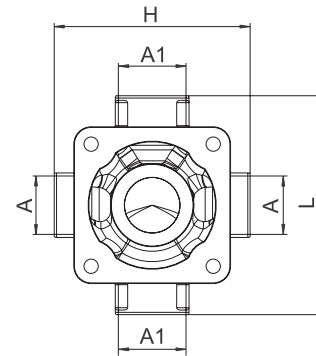
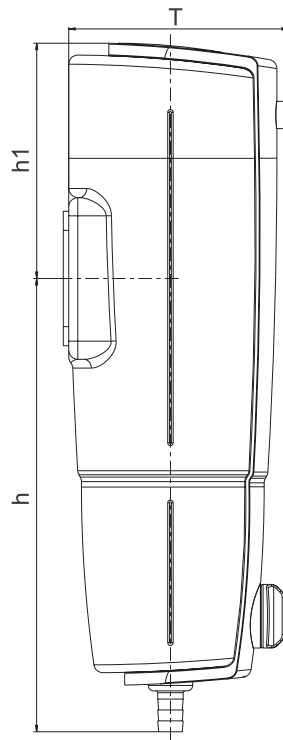
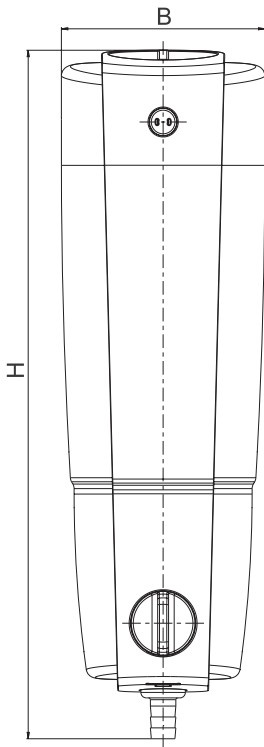
Technical specifications

Fluid:	heating water
Service pressure:	max. 10 bar
Service temperature:	max. 110 °C
Mounting position:	main axis in vertical position
Flow rate/ Pressure loss:	DN 20 - 32: 2 m ³ /h, 0,1 bar
Kvs-value:	8,5
Min. pressure for backwashing:	1.5 bar
Serial number:	3415.00.000

Maintenance

Backwash the heating system filter on a regular basis depending on the accumulation of dirt. Drain the backwash water (3 liters) by means of a suitable hose or collect it in a bucket. The backwashing process requires a standard-conforming potable

water connection at the flange to ensure that the filter can be flushed top down when backwashing. Backwashing can be automated with the automatic backwash system RSA 2316.00.081.



flange not included in delivery

7

Dimensions of filter	H (mm)	379		
	h (mm)	249,5		
	h1 (mm)	129,5		
	B (mm)	112		
	T (mm)	121		
Dimensions of flange		DN 20	DN 25	DN 32
	A	Rp 1/2"	Rp 1/2"	Rp 1/2"
	A1	Rp 3/4"	Rp 1"	Rp 1 1/4"
	H (mm)	95	100	108
	L (mm)	85	85	85

Accessories:

Flange with additional outlet connections
 Flange with additional outlet connections
 Flange with additional outlet connections
 BA Filling-Combi DN 20: 6628.20.000

DN 20: 3415.20.000
 DN 25: 3415.25.000
 DN 32: 3415.32.000



3415 Heating filter

Components / Order numbers

①
Vent
3415.00.900

