

Pressure Reducing Valve with flange connection 6247

made of gun metal with flange connection and outlet pressure indicator

3



Field of application

The pressure reducing valve with flange connection type 6247 protects in compliance with its specifications industrial and commercial installations against excess supply pressure. It is predominantly used in the drinking water supply and fulfils the requirements of the European Standard EN 1567.

The pressure reducing valve with flange connection type 6247 protects water-supplying installations; it compensates and optimises upstream pressure variations and therefore effectively prevents damages that can be caused by pressure increase.

Design

The pressure reducing valve with flange connection type 6247 is equipped with one pressure reducer cartridge and designed with a flange connection. The pressure reducer cartridge is equipped with a spring-relieved single-seat valve and a coaxially positioned strainer (mesh width: 0.6 mm). The operational parts of the system are placed in a cartridge; this complete unit can be exchanged

without disassembling the whole valve and without using special tools; the outlet pressure setting remains unchanged. The special cartridge design allows any mounting position. The pressure reducing valve with flange connection type 6247 is also equipped with connection facilities for upstream or downstream pressure gauges.

Materials

The body and the captive nut are made of a low-lead dezincification resistant gunmetal alloy. All materials are tested and approved by DVGW, an internationally recognised test institute. All synthetic parts getting into contact with water are approved by the German Public Health Office (KTW). The cor-

rosion resistance in particular is guaranteed for all used materials. All rubber parts are made of ageing resistant elastomer. The diaphragm is reinforced and the high resistance of the screw cap is due to glass fibre reinforced synthetic material.

Installation

The connection size depends on the required flow rate capacity. When choosing a pressure reducing valve, it needs to be considered that a pressure drop of 1.3 bar occurs at maximum flow rate. This is the difference between the static and dynamic pressure at the outlet of the pressure reducing valve. When a specific flow rate is required for

a particular draw-off point, the setting of the pressure reducer has to be calculated beforehand. A pressure reducing valve works without auxiliary energy with very little adjustment forces. Therefore it reacts sensitively to impurities. A filter installed upstream effectively protects the pressure reducing valve with flange connection type 6247.

Thoroughly flush the pipe prior to installation. Install the pressure reducing valve with flange connection type 6247 in the pipe under consideration of the direction of flow direction (see arrow on

the body; do not apply stresses. Afterwards, turn the head part without loosening the captive nut, so that the green outlet pressure indicator becomes visible.

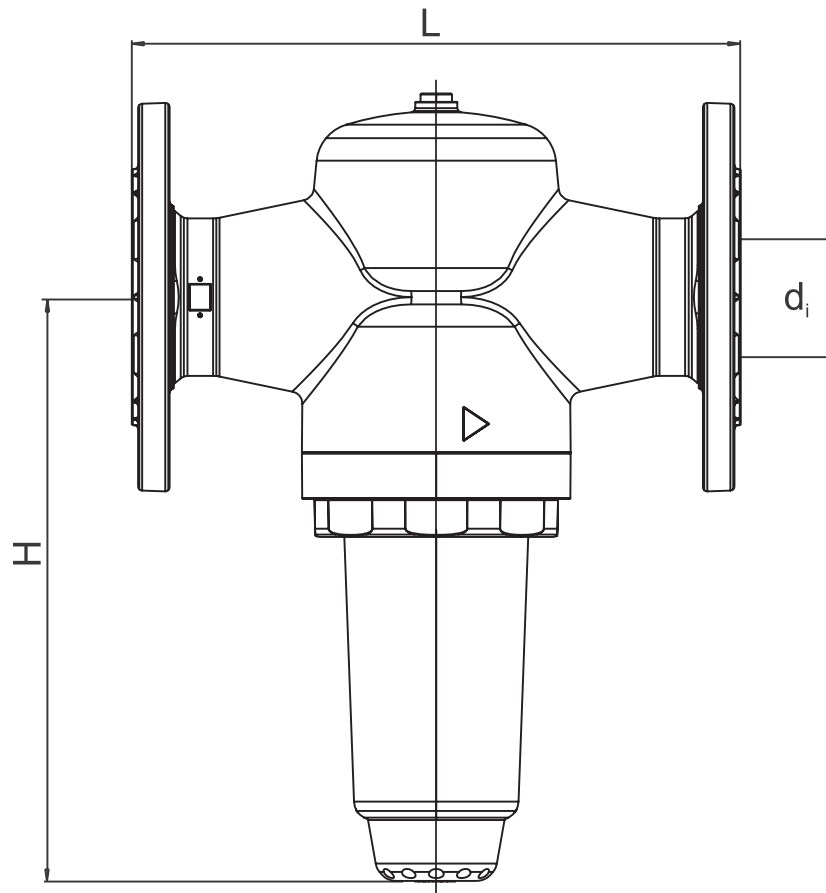
Technical specifications

Inlet pressure:	max. 16 bar
Outlet pressure:	1.5 - 6 bar (factory-set to 4 bar)
Operating temperature:	max. 30 °C
Mounting position:	any
Fluid:	Water, compressed air, neutral non-adhesive fluids, neutral gases
Serial number:	6247...

Maintenance

The pressure has to be set at static pressure. Remove the cap at the upper end of the cartridge. Use a spanner of size 19 to adjust the pressure. Turn the adjustment screw in the direction of the minus symbol (-) to reduce the outlet pressure; to increase it, turn the adjustment screw in the direction of the plus symbol (+). The pressure reducing valve with flange connection is factory-set to 4 bar. This

meets the requirements of most applications and saves time and money on the installation spot. It is recommended to carry out maintenance works on a regular basis to ensure durable functionality. The perfected design of the cartridge system allows to disassemble the operational part of the pressure reducing valve without having to disassemble the whole valve and without using special tools.



Nominal size		DN 65	DN 80	DN 100
Dimensions in mm	L (mm)	290	310	350
	H (mm)	278	278	278
	d _i (mm)	67	80	100
	Distance between the bores (mm)	145	160	180
	Quantity of bores	4	8	8
Flow rate capacity in m³/h (at 2m/s)	Residential buildings according to DIN EN 1567	24	36	56

Accessories

Pressure gauge

0 - 10 bar: 2000.00.906

0 - 25 bar: 2000.00.907

6247 Flange PRV

Components / Order numbers

- ①
Body
- ②
Pressure reducer cartridge
DN 65 - 100
6247.50.903
- ③
Manometer plug
0828.08.000

