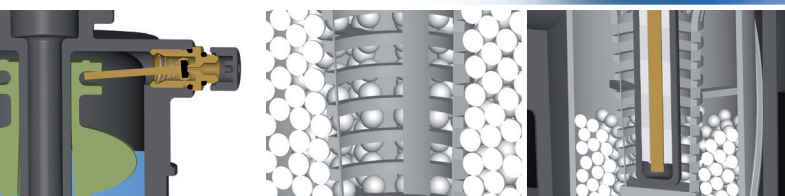


**With Pearl Technology**



**HEATING SYSTEM FILTER HF 3415**

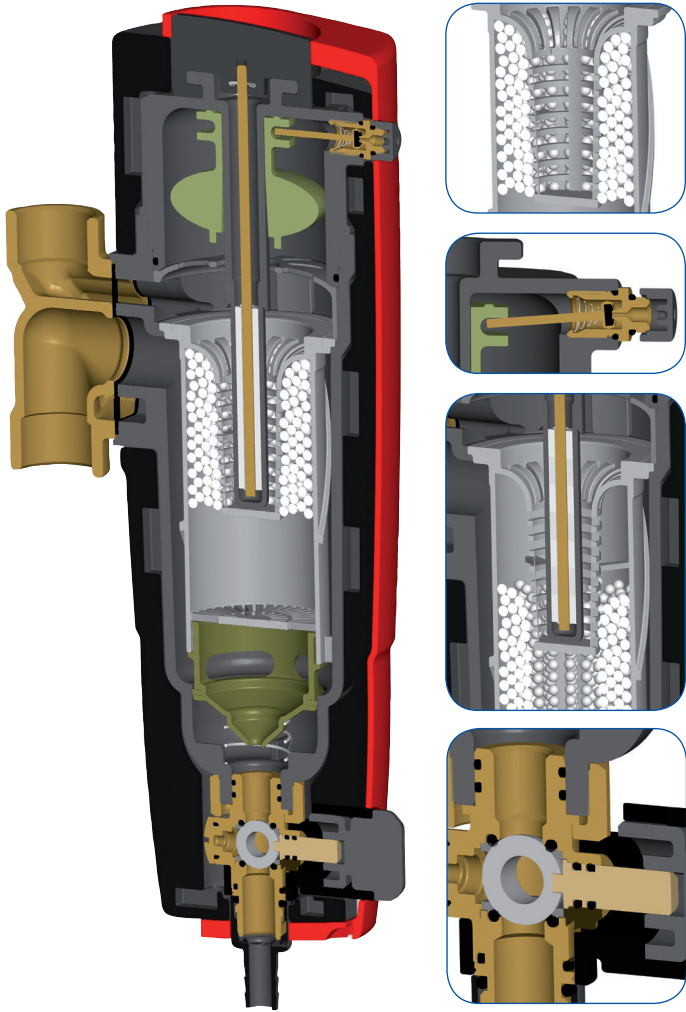


**The backwashable heating system filter HF 3415.  
Vents, desludges and removes magnetite.  
A clean heating system for a long service life.**



**Innovative solutions for smart people**

# Fourfold SYR safety for heating installations.



## 1. Pearl Technology - and the dirt is gone.

The secret of the backwashable heating system filter HF3415 effectiveness against sediments and hematite is the Pearl Technology: the synthetic pearls in the HF 3415 are electrostatically charged due to the volume flow circulating in the heating installation. As a result, sludge developing in the heating system (hematite) and suspended sediments adhere to these pearls.

## 2. Automatic vent

The filter's upper part stores the air entering the heating installation, which is then released through the automatic vent.

## 3. A magnetic bar against magnetite

The core element of the HF 3415 is the magnetic bar placed in an immersion sleeve made of synthetic material. Thus, it remains dry as it does not come into contact with the fluid. SYR's advantage: the hematite cannot leave a deposit on the bar, since the pearls will remove it beforehand. The magnetic bar attracts the magnetite from the heating installation so efficiently that it cannot return into the water circuit via the volume flow.

## 4. Clean backwash

Ideally, the device should be combined with the BA FillingCombi, which can be directly connected to the cross-type flange. As soon as the ball valve of the HF 3415 is opened, a mechanism interrupts the hydraulic volume flow. The backwash water eliminates the pearls' electrostatic charge and the hematite is flushed out through the filter along with the water. The magnetic bar must be manually removed at the same time. The bound magnetite is now in "free suspension" and is fully eliminated through the backwash process.

### Technical specifications

Max. operating pressure	10 bar
Max. operating temperature	110 °C
Fluid	Heating system water
Min. pressure for backwash	1,5 bar
Mounting position	Main axis: vertical
Flow rate DN 20 - DN 32	2,0 m³/h at $\Delta p$ 0,1 bar
Kvs-value DN 20 - DN 32	8,5
Serial number	3415.00.000

### Accessories

Serial number connection flange	
DN 20	3415.20.000
DN 25	3415.25.000
DN 32	3415.32.000

### Easy installation with the cross-type flange

The device can be mounted in vertical or horizontal position by means of the cross-type flange available in DN 20, 25 and 35. When combining the HF 3415 with the SYR FillingCombi, the device can even be turned into a fully automatic installation by adding SYR's RSA automatic backwash system.

- vents, desludges and removes magnetite
- ensures efficient operation and extends the service life of heating installations
- reduces maintenance work
- simple cleaning by backwashing

